

## Excellent Integrated System Limited

Stocking Distributor

Click to view price, real time Inventory, Delivery & Lifecycle Information:

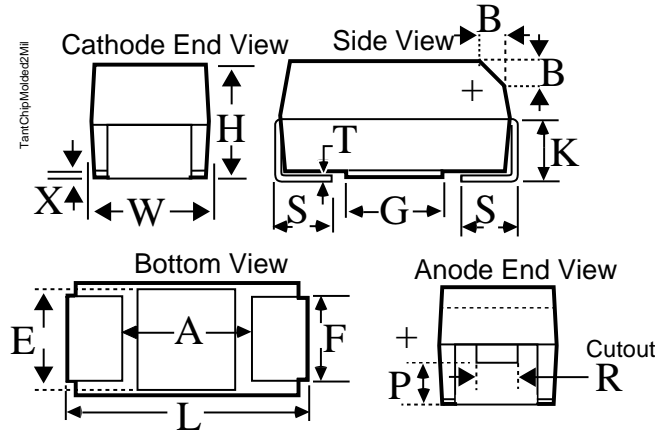
[KEMET](#)  
[B76304E6879M018](#)

For any questions, you can email us directly:  
[sales@integrated-circuit.com](mailto:sales@integrated-circuit.com)

**B76304E6879M018**

aka T530X687M004ZTE018

Capacitor, tantalum, 680 uF, 7343, +/-20% Tol, 4V@85C



Cutout at KEMET's option (either end);  
 see note about P and R dimensions and cutout.

**Dimensions (mm)**

**Specifications**

ID	Dimension	Tolerance
L	7.3	+/-0.3
W	4.3	+/-0.3
H	4	+/-0.3
K	2.3	+/-0.2
F	2.4	+/-0.1
S	1.3	+/-0.3
B	0.5	+/-0.15
X	0.1	ref
P	1.7	ref
R	1	0.13

<b>Manufacturer:</b>	KEMET
<b>Capacitance:</b>	680 uF
<b>Voltage DC @ 85C:</b>	4V
<b>Voltage DC @ 105C:</b>	3.2V
<b>Tolerance:</b>	+/-20%
<b>Application:</b>	Low ESR
<b>Body Type:</b>	Molded Chip
<b>Temperature Range:</b>	-55/+105C
<b>ESR:</b>	18 mOhm
<b>Footprint:</b>	7343
<b>Termination:</b>	Tin
<b>Leakage Current:</b>	272 uA
<b>Dissipation Factor:</b>	10%
<b>Ripple @ 25C:</b>	3.9 A
<b>Ripple @ 85C:</b>	3.5 A
<b>Ripple @ 105C:</b>	1.6 A
<b>Package Kind:</b>	T&R
<b>Package Quantity:</b>	400

Notes:

-E