

Excellent Integrated System Limited

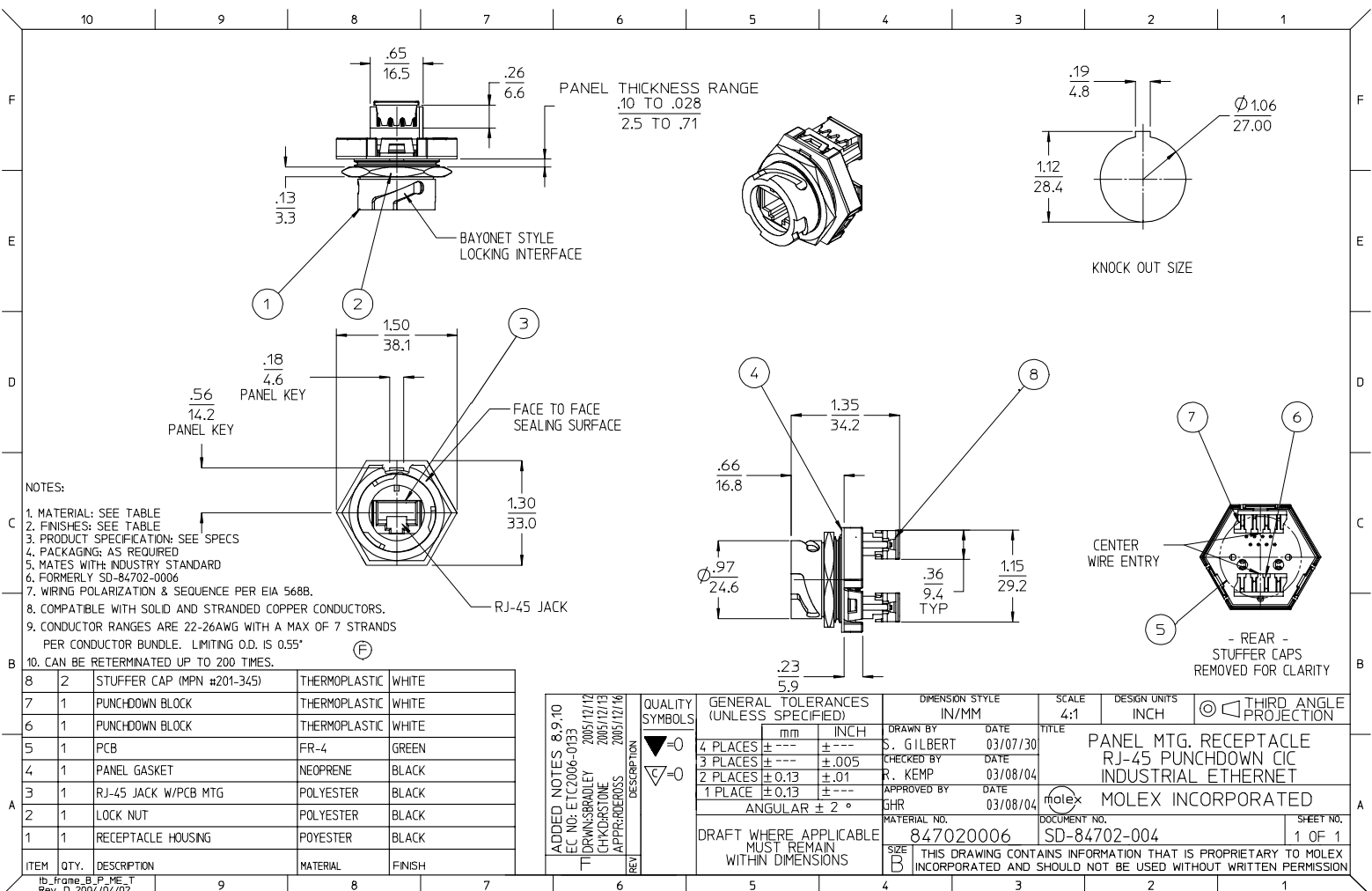
Stocking Distributor

Click to view price, real time Inventory, Delivery & Lifecycle Information:

[Molex Connector Corporation](#)
[0847020006](#)

For any questions, you can email us directly:

sales@integrated-circuit.com

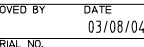


| ITEM | QTY. | DESCRIPTION | MATERIAL | FINISH |
|------|------|----------------------------|---------------|--------|
| 8 | 2 | STUFFER CAP (MPN #201-345) | THERMOPLASTIC | WHITE |
| 7 | 1 | PUNCHDOWN BLOCK | THERMOPLASTIC | WHITE |
| 6 | 1 | PUNCHDOWN BLOCK | THERMOPLASTIC | WHITE |
| 5 | 1 | PCB | FR-4 | GREEN |
| 4 | 1 | PANEL GASKET | NEOPRENE | BLACK |
| 3 | 1 | RJ-45 JACK W/PCB MTG | POLYESTER | BLACK |
| 2 | 1 | LOCK NUT | POLYESTER | BLACK |
| 1 | 1 | RECEPTACLE HOUSING | POYESTER | BLACK |

| REV | DESCRIPTION |
|--------|---------------------------|
| 8,9,10 | ADDED NOTES |
| 10 | EC NO. ETC2006-0133 |
| 9 | TDIPWNSBRODLEY 2005/12/12 |
| 8 | CHKCRSTONE 2005/12/12 |
| 7 | APPRFRDROSS 2005/12/16 |

| QUALITY SYMBOLS | GENERAL TOLERANCES (UNLESS SPECIFIED) |
|-----------------|---------------------------------------|
| ▽=0 | 4 PLACES ± --- ± --- |
| ▽=0 | 3 PLACES ± --- ± .005 |
| | 2 PLACES ± 0.13 ± .01 |
| | 1 PLACE ± 0.13 ± --- |
| | ANGULAR ± 2° |

| DIMENSION STYLE | SCALE | DESIGN UNITS | THIRD ANGLE PROJECTION |
|--|-------|---------------------------|------------------------|
| IN/MM | 4:1 | INCH | ☉ |
| DRAWN BY S. GILBERT | | DATE 03/07/30 | |
| CHECKED BY R. KEMP | | DATE 03/08/04 | |
| APPROVED BY GHR | | DATE 03/08/04 | |
| MATERIAL NO. 847020006 | | DOCUMENT NO. SD-84702-004 | |
| DRAFT WHERE APPLICABLE MUST REMAIN WITHIN DIMENSIONS | | | SHEET NO. 1 OF 1 |



MOLEX INCORPORATED

THIS DRAWING CONTAINS INFORMATION THAT IS PROPRIETARY TO MOLEX INCORPORATED AND SHOULD NOT BE USED WITHOUT WRITTEN PERMISSION