

Excellent Integrated System Limited

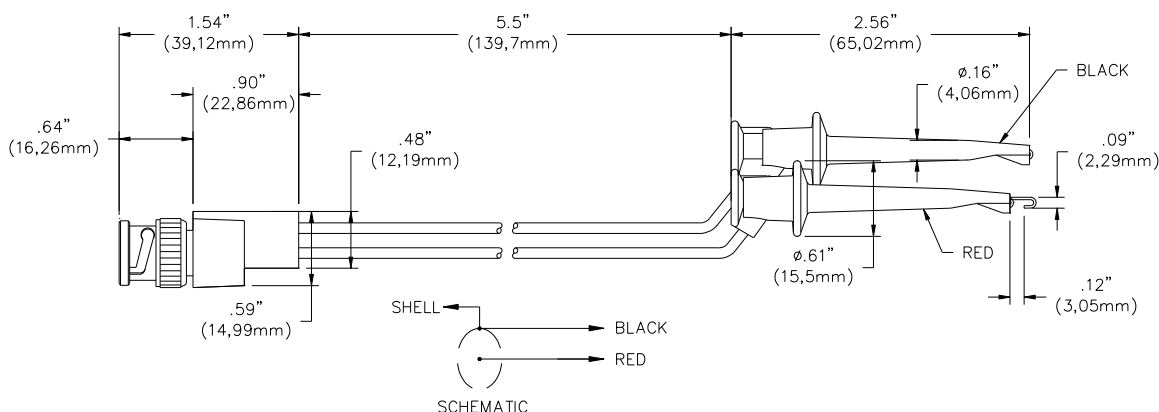
Stocking Distributor

Click to view price, real time Inventory, Delivery & Lifecycle Information:

[Pomona Electronics](#)
[3789](#)

For any questions, you can email us directly:

sales@integrated-circuit.com



FEATURES:

- Minigrabber® test clip hooks attach to terminal sizes up to .060” diameter
- Converts BNC (Female) jacks to Minigrabber test clips for test versatility
- BNC connector and Minigrabber test clip caps are molded directly onto the wire for pull strength durability and dust and moisture resistance
- Grabber hook and BNC center contact are Gold-plated Beryllium Copper for optimum strength, excellent corrosion resistance and low contact resistance to ensure test signal integrity
- Schematic: Black Minigrabber test clip to BNC shell, red Minigrabber test clip to BNC center contact

MATERIALS:

BNC: Nickel plated brass

Center Contact: Gold-plated brass

Insulation: polypropylene molded to BNC and wire

Wire: 20 AWG, PVC

Marking: “POMONA 3789”

Minigrabber® test clip:

Contact: Gold-plated Beryllium Copper,

Insulation: Glass filled nylon, color: red and black

Marking: “Pomona Electronics”, “Minigrabber®”

RATINGS:

Operating Temperature: +55°C (+131°F) Max.

Operating Voltage: Hand-held testing: 30VAC/60VDC Max.

Hands free testing in controlled voltage environments: 300VRMS Max.

ORDERING INFORMATION: Model 3789

*Custom lengths are available, contact Pomona Technical support: 800-241-2060 (Technicalsupport@pomonatest.com)

All dimensions are in inches. Tolerances (except noted): .xx = ±.02” (.51 mm), .xxx = ± .005” (.127 mm).

All specifications are to the latest revisions. Specifications are subject to change without notice.

Registered trademarks are the property of their respective companies.