

Excellent Integrated System Limited

Stocking Distributor

Click to view price, real time Inventory, Delivery & Lifecycle Information:

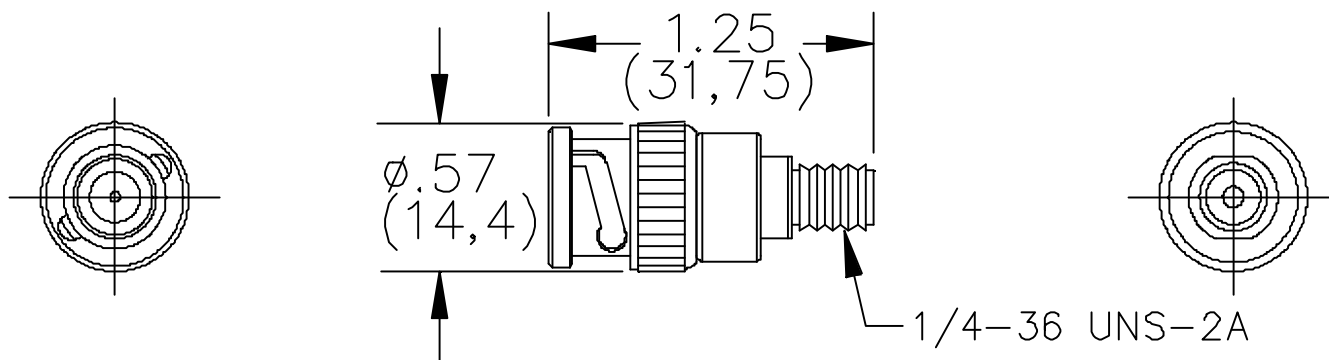
[Pomona Electronics](#)
[4289](#)

For any questions, you can email us directly:

sales@integrated-circuit.com

Pomona®

Model 4289
Adapter, SMA Female To BNC Male



MATERIALS:

Body – Gold Plated Beryllium Copper, Male Contact - Gold Plated Brass, Female Contact – Gold Plated Beryllium Copper

Dielectric: Teflon per L-P-403

Finish: Body and Contacts – Gold plated per MIL-G-45204, Type II, Class 2

Marking: “Pomona 4289”

RATINGS:

Voltage: Shield/Earth: 30VAC/60VDC Max.

Inner Conductor/Shield: 335VRMS Max.

Operating Temperature: -65°C (-85°F) to +165°C (+329°F)

Nominal Impedance: 50 Ohms

Frequency Range: 0-12.4 GHz.

ORDERING INFORMATION: Model 4289

All dimensions are in inches. Tolerances (except noted): .xx = ±.02” (.51 mm), .xxx = ± .005” (.127 mm).

All specifications are to the latest revisions. Specifications are subject to change without notice.

Registered trademarks are the property of their respective companies. Made in USA