

## **Excellent Integrated System Limited**

Stocking Distributor

Click to view price, real time Inventory, Delivery & Lifecycle Information:

[TE Connectivity AMP Connectors](#)  
[201384-2](#)

For any questions, you can email us directly:

[sales@integrated-circuit.com](mailto:sales@integrated-circuit.com)

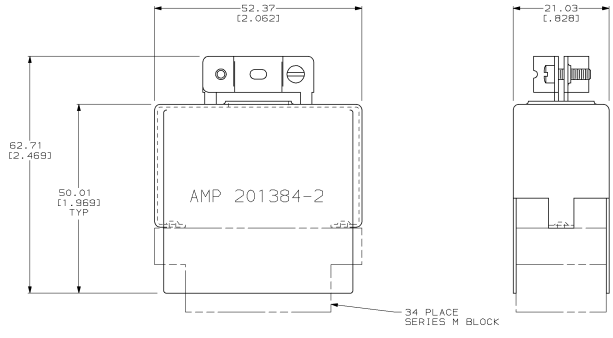


Distributor of TE Connectivity AMP Connectors: Excellent Integrated System Limited  
 Datasheet of 201384-2 - CONN SHIELD 34POS 1PC LONG

B 7 6 5 4 3 2 1

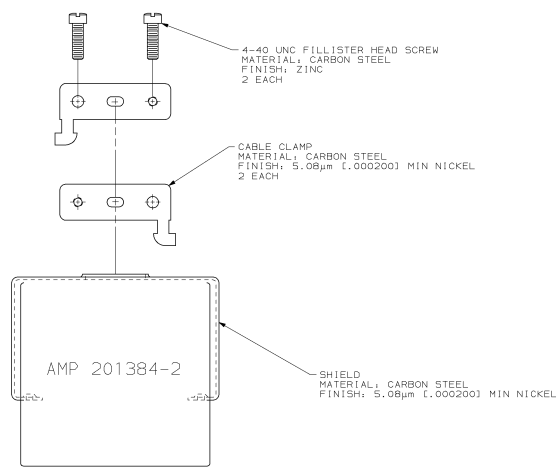
THIS DRAWING IS UNCONTROLLED  
 (U) CONTROL IS BY AMP DOCUMENTS ALL RIGHTS RESERVED

REV		REV		REVISIONS		DATE	BY	CHK	APP
FT	8								
G				REDRAWN W/O CHANGE EC 0020-281-96		15 APR 97			



ASSEMBLED VIEW

1. CABLE CLAMP WILL ACCEPT 34 WIRES OF 1.78 (0.070) MAX DIA.



201384-2  
 PART NUMBER

THIS DRAWING IS A CONTROLLED DOCUMENT.		DR. LOCATION	15 APR 97	 AMP Incorporated Harrisburg, PA 17105-3608
APPROVED: DATE: 15 APR 97		DR. STONE	15 APR 97	
DESIGNED: DATE: 15 APR 97		DR. STEINHAUER	21 MAR 97	SHIELD KIT, UNASSEMBLED, 34 POSITION, M SERIES
CHECKED: DATE: 15 APR 97		OPERATOR NAME		
MATERIAL: -		QUANTITY		TITLE: CDR USE DRAWING NO A1007790-201384
		CUSTOMER DRAWING	DATE: 2-11-97	REV: 6