

Excellent Integrated System Limited

Stocking Distributor

Click to view price, real time Inventory, Delivery & Lifecycle Information:

[TE Connectivity AMP Connectors
201467-2](#)

For any questions, you can email us directly:
sales@integrated-circuit.com



Distributor of TE Connectivity AMP Connectors: Excellent Integrated System Limited
 Datasheet of 201467-2 - CONN SHIELD 14POS 1PC SHORT

4

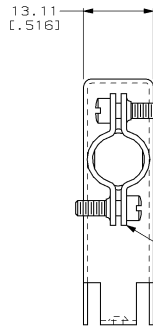
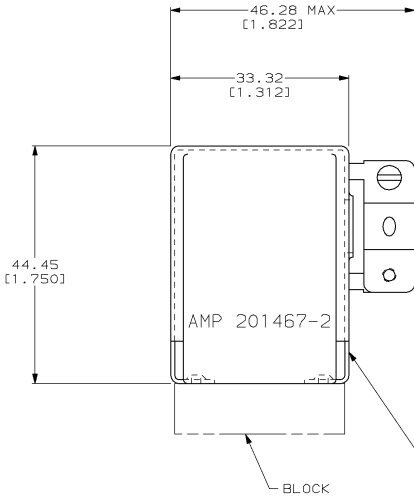
3

2

1

THIS DRAWING IS UNPUBLISHED. RELEASED FOR PUBLICATION BY AMP INCORPORATED. ALL RIGHTS RESERVED.

LOC	DIST	REVISIONS			
P	LT/R	DESCRIPTION	DATE	ENR	APPD
BD	36	F REDRAWN PER EC 0020-1246-95	26 FEB 95	-	-



4-40 UNC FILLISTER HEAD SCREW
 MATERIAL: CARBON STEEL
 FINISH: 3.81µm [0.00150] MIN ZINC
 2 EACH

CABLE CLAMP
 MATERIAL: CARBON STEEL
 FINISH: 5.08µm [0.00200] MIN NICKEL
 2 EACH

SHIELD
 MATERIAL: CARBON STEEL
 FINISH: 5.08µm [0.00200] MIN NICKEL

ASSEMBLED VIEW

1. CABLE CLAMP WILL ACCEPT 14 WIRES OF 1.78 [0.070] MAX DIA.

201467-2
 PART NUMBER

<small>THIS DRAWING IS UNPUBLISHED. RELEASED FOR PUBLICATION BY AMP INCORPORATED. ALL RIGHTS RESERVED.</small>		<small>DATE</small> 26 FEB 95	AMP Incorporated Harrisburg, PA 17105-3608
<small>IF DIMENSIONS UNLESS OTHERWISE SPECIFIED, REFER TO THE LATEST REVISION.</small>		<small>DESIGNER</small> C. DORWARD	
<small>DIMENSIONS:</small> mm (INCHES)		<small>DATE</small> 23 FEB 95	SHIELD KIT, UNASSEMBLED, 14 POSITION, M SERIES
<small>TOLERANCES UNLESS OTHERWISE SPECIFIED:</small>		<small>DATE</small> 07 MAR 95	
Ø P.L.C. ± P.L.C. ± P.L.C. ±0.41 (0.016) P.L.C. ± ANGLES ±	PRODUCT SPEC APPLICATION SPEC	<small>NAME</small> G. STEINHAUER	<small>SIZE</small> A2
MATERIAL -	FINISH -	WEIGHT -	<small>DRAWING NO</small> 00779
CUSTOMER DRAWING			<small>DRAWING NO</small> 201467
SCALE 2:1			<small>SHEET</small> 1 OF 1 <small>REV</small> F

201467