

Excellent Integrated System Limited

Stocking Distributor

Click to view price, real time Inventory, Delivery & Lifecycle Information:

[TE Connectivity AMP Connectors
201540-1](#)

For any questions, you can email us directly:
sales@integrated-circuit.com



Distributor of TE Connectivity AMP Connectors: Excellent Integrated System Limited
 Datasheet of 201540-1 - CONN GUIDE PIN LONG PANEL MOUNT

4

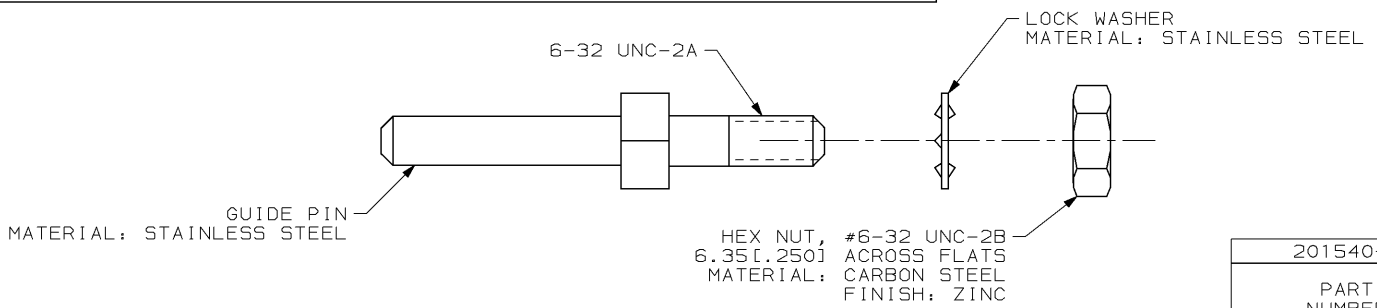
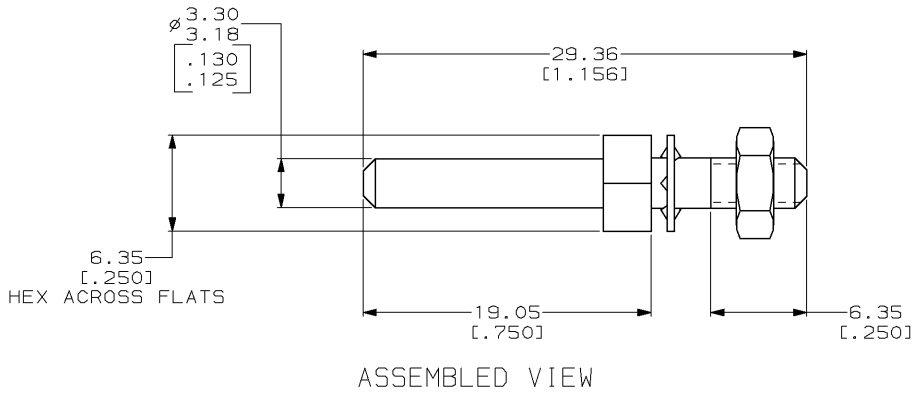
3

2

1

THIS DRAWING IS UNPUBLISHED. RELEASED FOR PUBLICATION .19 .
 © COPYRIGHT 19 BY AMP INCORPORATED. ALL RIGHTS RESERVED.

LOC		D1ST		REVISIONS			
P	LTR	DESCRIPTION	DATE	DWN	APVD		
H		REDRAWN W/O CHANGE PER EC 0020-287-96	03 JUN 96	-	-		



201540-1
PART NUMBER

THIS DRAWING IS A CONTROLLED DOCUMENT.		DWN C. REIFSNYDER 03 JUN 96	AMP Incorporated Harrisburg, PA 17105-3608	
DIMENSIONS: mm (INCHES)		CHK R. STONE 17 JUL 96	NAME GUIDE PIN KIT, UNASSEMBLED, 104 POSITION, CENTER FASTENER, M SERIES	
TOLERANCES UNLESS OTHERWISE SPECIFIED.		APVD G. A. STEINHAUER 23 JUL 96	SIZE A3	
0 PLC ±-	1 PLC ±-	PRODUCT SPEC	CASE CODE 00779	DRAWING NO C-201540
2 PLC ±0.38 (.015)	3 PLC ±-	APPLICATION SPEC	SCALE 4:1	
4 PLC ±-	ANGLES ±-	WEIGHT -	SHEET 1 OF 1	
MATERIAL SEE CALLOUTS	FINISH SEE CALLOUTS	CUSTOMER DRAWING	REV H	