

Excellent Integrated System Limited

Stocking Distributor

Click to view price, real time Inventory, Delivery & Lifecycle Information:

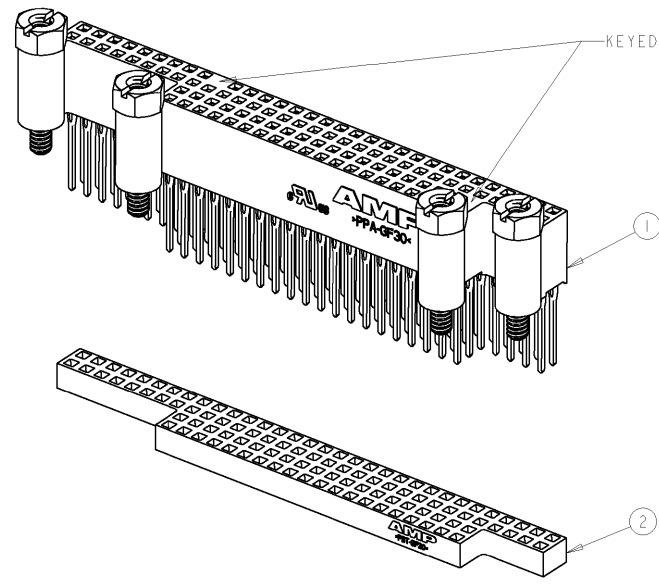
[TE Connectivity AMP Connectors](#)
[1445439-1](#)

For any questions, you can email us directly:

sales@integrated-circuit.com

THIS DRAWING IS UNPUBLISHED. RELEASED FOR PUBLICATION 20
 © COPYRIGHT 20 BY TYCO ELECTRONICS CORPORATION. ALL RIGHTS RESERVED.

LOC		DIST		REVISIONS			
P	LTR	DESCRIPTION	DATE	DWN	APVD		
0		REV PER EC 063C-0183-01	13JUN2001	MB	JO		
A		REV PER EC 063C-0313-04	25AUG2004	MB	JO		
B		063C-0184-05	31AUG2005	RB	JO		



- 1. COMPONENTS BULK PACKAGED.
- △ 2 1445439-1 & -3 (AS SHOWN) KEYED VERSION PER PCI04 SPECIFICATION.
- △ 3 1445439-2 & -4 UNKEYED VERSION.
- △ 4 ROHS 2002/95/EC COMPLIANT PART TO BE USED WITH ROHS 2002/95/EC COMPLIANT PCB'S.

△ 4 △ 3	1445251-1	1375791-4	1445439-4
△ 4 △ 2	1445251-1	1375791-3	1445439-3
△ 3	1445251-1	1375791-2	1445439-2
△ 2	1445251-1	1375791-1	1445439-1
②	ORGANIZER QTY = 1	① CONNECTOR ASSY QTY = 1	PART NUMBER

<small>THIS DRAWING IS A CONTROLLED DOCUMENT FOR PROTECTIVE/SECURITY ORGANIZATION IT IS SUBJECT TO EXPORT AND THE CONTROLLING ENGINEERING ORGANIZATION SHOULD BE CONTACTED FOR THE LATEST REVISION.</small>		DWN R BROWN 29MAR2001 CHK J OLSON 29MAR2001 APVD J OLSON 29MAR2001	AMP Tyco Electronics Harrisburg, PA 17105-3608
DIMENSIONS: mm 	TOLERANCES UNLESS OTHERWISE SPECIFIED: 0 PLC ±. 1 PLC ±0.5 2 PLC ±0.13 3 PLC ±0.013 4 PLC ±0.0001 ANGLES ±	PRODUCT SPEC 108-1956 APPLICATION SPEC 114-13021 WEIGHT -	NAME KIT, PC/104 ASSEMBLY, FOUR STANDOFF W/ORGANIZER SIZE CASE CODE DRAWING NO A3 00779 ©=1445439
MATERIAL -	FINISH -	CUSTOMER DRAWING	RESTRICTED TO -
		SCALE 2:1	SHEET 1 OF 1 REV B