

Excellent Integrated System Limited

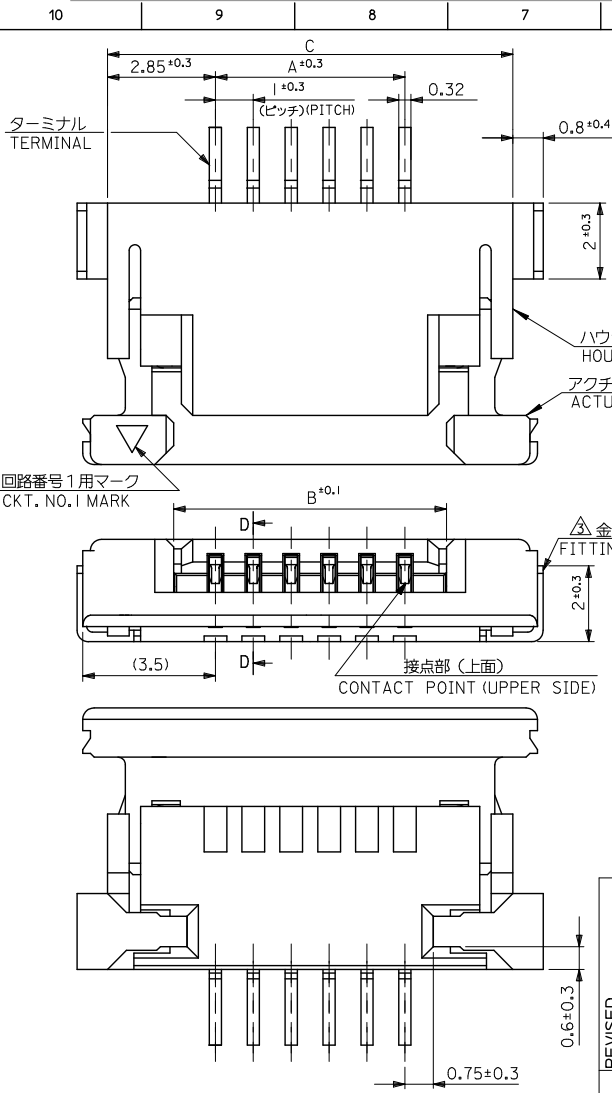
Stocking Distributor

Click to view price, real time Inventory, Delivery & Lifecycle Information:

[Molex Connector Corporation](#)
[0522071085](#)

For any questions, you can email us directly:

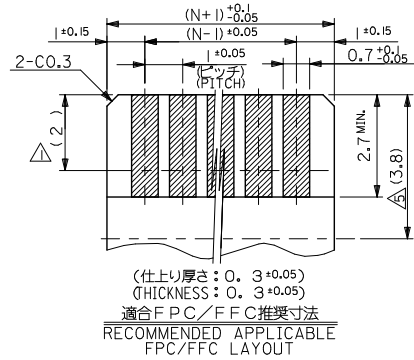
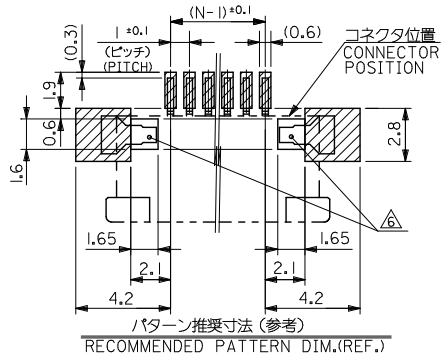
sales@integrated-circuit.com



38.7	35.2	33	52207-3485	34
34.7	31.2	29	52207-3085	30
33.7	30.2	28	52207-2985	29
32.7	29.2	27	52207-2885	28
31.7	28.2	26	52207-2785	27
30.7	27.2	25	52207-2685	26
29.7	26.2	24	52207-2585	25
28.7	25.2	23	52207-2485	24
27.7	24.2	22	52207-2385	23
26.7	23.2	21	52207-2285	22
25.7	22.2	20	52207-2185	21
24.7	21.2	19	52207-2085	20
23.7	20.2	18	52207-1985	19
22.7	19.2	17	52207-1885	18
21.7	18.2	16	52207-1785	17
20.7	17.2	15	52207-1685	16
19.7	16.2	14	52207-1585	15
18.7	15.2	13	52207-1485	14
17.7	14.2	12	52207-1385	13
16.7	13.2	11	52207-1285	12
15.7	12.2	10	52207-1185	11
14.7	11.2	9	52207-1085	10
13.7	10.2	8	52207-0985	9
12.7	9.2	7	52207-0885	8
11.7	8.2	6	52207-0785	7
10.7	7.2	5	52207-0685	6
9.7	6.2	4	52207-0585	5
8.7	5.2	3	52207-0485	4
7.7	4.2	2	52207-0385	3
C	B	A	EMBOSSED PACKAGE 極数 オーダー番号 ORDER NO. CIRCUITS	
CONNECTOR SERIES NO. 52207-***19				
SCALE	DESIGN UNITS	THIRD ANGLE PROJECTION		
---	METRIC			

REVISED IEC NO. J2011-0195 D DRW:MSANIMA 2010/07/26 CHIKDKAKASHI 2010/07/27 APPR:KORIKAWA 2010/07/28 REV	GENERAL TOLERANCES (UNLESS SPECIFIED)		DIMENSION STYLE		TITLE 1.0 PITCH FPC CONN. ZIF SMT -LEAD FREE- Molex MOLEX INCORPORATED DOCUMENT NO. SD-52207-060 SHEET NO. 1 OF 2
	10 UNDER ±0.2		MM ONLY		
	10 OVER 30 UNDER ±0.25		DRAWN BY DATE MNINOMIY '04/02/06		
	30 OVER ±0.3		CHECKED BY DATE KTOJO '04/02/06		
ANGULAR ±3°		APPROVED BY DATE MSASAO '04/02/06		MATERIAL NO.	
DRAFT WHERE APPLICABLE MUST REMAIN WITHIN DIMENSIONS		SEE TABLE		THIS DRAWING CONTAINS INFORMATION THAT IS PROPRIETARY TO MOLEX INCORPORATED AND SHOULD NOT BE USED WITHOUT WRITTEN PERMISSION	

10 9 8 7 6 5 4 3 2 1



注記 NOTES

- △ 接点部までの嵌合長さ。
LENGTH TO CONTACT POINT.
- 2. 使用材料 MATERIAL
 - ハウジング : 46ナイロン (耐熱性) , UL94V-0
 - ハウジング : 46NYLON, UL94V-0
 - アクチュエータ : PPS, UL94V-0
 - アクチュエータ : PPS, UL94V-0
 - ターミナル : リン青銅
 - ターミナル : PHOSPHOR BRONZE
 - 銅・ビスマスメッキ 1.0マイクロメートル以上
 - 銅・ビスマスメッキ 1.0 MICROMETER MINIMUM
 - TIN BISMUTH 1.0 MICROMETER MINIMUM
 - ニッケル下地 1.0マイクロメートル以上
 - ニッケル下地 1.0 MICROMETER MINIMUM
 - NICKEL UNDER PLATING 1.0 MICROMETER MINIMUM
 - 銅合金
 - 銅合金
 - FITTING NAIL : COPPER ALLOY
 - 銅メッキ 1.0マイクロメートル以上
 - 銅メッキ 1.0 MICROMETER MINIMUM
 - ニッケル下地 1.0マイクロメートル以上
 - ニッケル下地 1.0 MICROMETER MINIMUM
 - NICKEL UNDER PLATING 1.0 MICROMETER MINIMUM
- △ パターンはくり止め用金具
FITTING NAIL FOR PREVENTION OF PEELING OF P.C.B. PATTERN.
- 4. エンボステープ梱包時は、アクチュエータがロックした状態とする。
IN THE PACKAGE, ACTUATOR OF PART NO. 52207-**19 SHOULD BE LOCKED.
- △ ケーブル挿入深さ
INSERTION DEPTH OF CABLE.
- △ パターン書き込み禁止エリア
NO FOOT PRINT AREA.
- 7. 本製品は 52207-**17 の鉛フリー品である。
THIS PRODUCT IS LEAD FREE OF 52207-**17.
- B. ELV及びRoHS適合品
ELV AND RoHS COMPLIANT

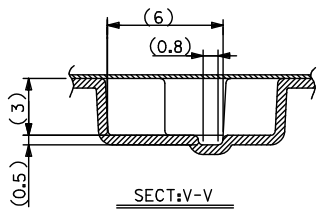
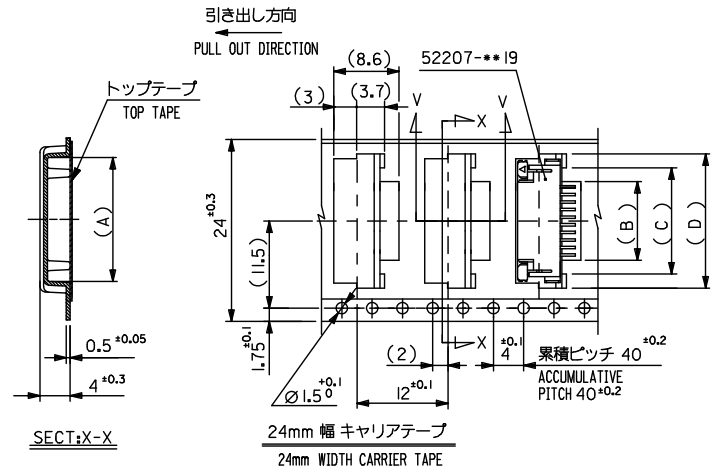
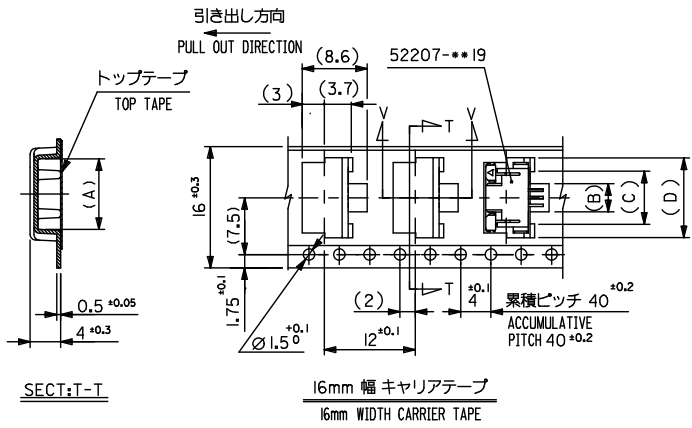
FPCについて:

打抜き方向は導体側から補強板を推奨致します。
補強フィルム材質はポリイミドを推奨致します。
接着剤は熱硬化接着剤を推奨致します。

ABOUT FPC:
RECOMMENDED PUNCHER DIRECTION : FROM CONDUCTOR SIDE TO STIFFENER BOARD SIDE.
RECOMMENDED MATERIAL : POLYIMIDE
STIFFENER : POLYIMIDE
BONDING AGENT : THERMOSETTING BONDING AGENT

SEE SHEET 1 EC NO. J2011-0195 DRAWN BY SANIMA 2010/07/26 CHKD BY TAKAHASHI 2010/07/27 APPR. BY MORIKAWA 2010/07/28 REV. DESCRIPTION	GENERAL TOLERANCES (UNLESS SPECIFIED)		DIMENSION STYLE	SCALE	DESIGN UNITS	THIRD ANGLE PROJECTION
			MM ONLY	---	METRIC	
	10 UNDER	± 0.2	DRAWN BY DATE	TITLE		
	10 OVER 30 UNDER	± 0.25	MINOMIY '04/02/06	1.0 PITCH FPC CONN ZIF SMT -LEAD FREE-		
		CHECKED BY DATE	MOLEX INCORPORATED			
		30 OVER	± 0.3	KT0JO '04/02/06		
		ANGULAR ± 3 °		APPROVED BY DATE		
		DRAFT WHERE APPLICABLE MUST REMAIN WITHIN DIMENSIONS		MSASAO '04/02/06		
				MATERIAL NO.	DOCUMENT NO.	
				SEE SHEET 1 OF 2	SD-52207-060	
				SIZE 3	THIS DRAWING CONTAINS INFORMATION THAT IS PROPRIETARY TO MOLEX INCORPORATED AND SHOULD NOT BE USED WITHOUT WRITTEN PERMISSION	

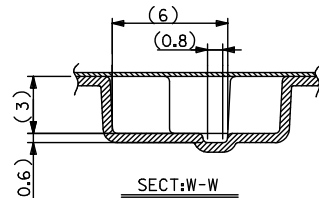
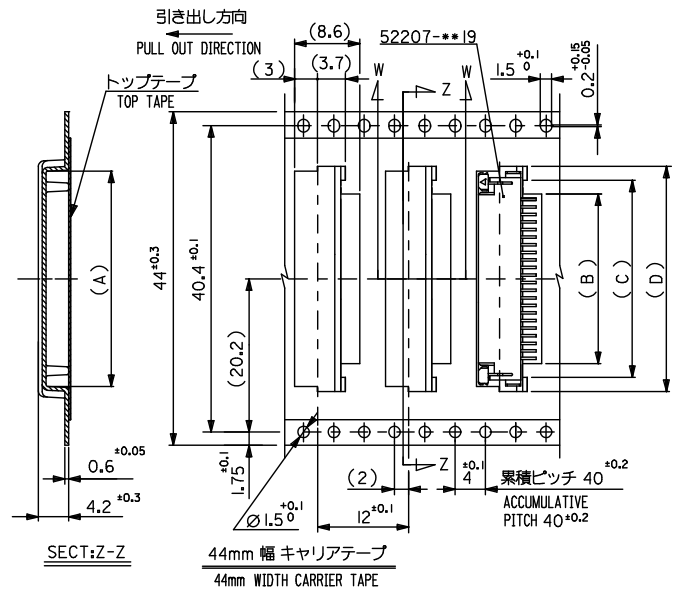
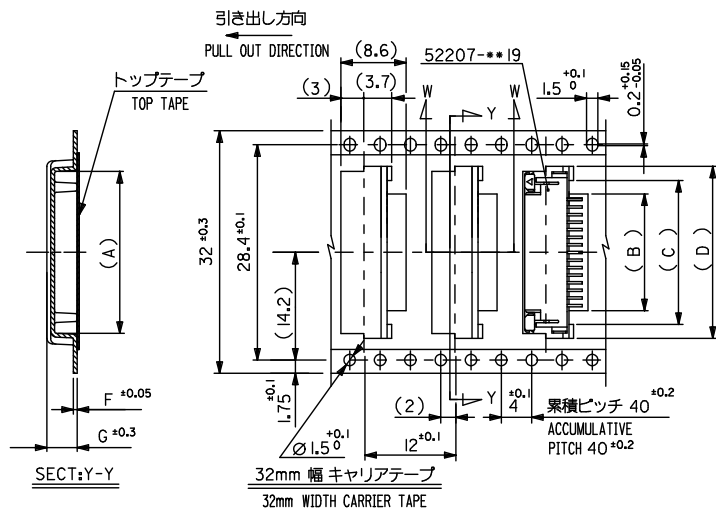
10 9 8 7 6 5 4 3 2 1



24	29.4	25.4	18.5	15	11.7	17.3	52207-1185	11	
			17.5	14	10.7	16.3	4 -1085	10	
			16.5	13	9.7	15.3	-0985	9	
			15.5	12	8.7	14.3	-0885	8	
			14.5	11	7.7	13.3	-0785	7	
			13.5	10	6.7	12.3	-0685	6	
			12.5	9	5.7	11.3	-0585	5	
			11.5	8	4.7	10.3	-0485	4	
52207-***85	16	21.4	17.4	10.5	7	3.7	9.3	52207-0385	3

REVISED EC NO. J2009-2061 DRAWN: KON CHIKUHMATSUMOTO APPROVAL: IMAI REV. DESCRIPTION	GENERAL TOLERANCES (UNLESS SPECIFIED)	DIMENSION STYLE MM ONLY	SCALE ---	DESIGN UNITS METRIC	THIRD ANGLE PROJECTION
	10 UNDER ±0.2	DRAWN BY M. NINOMIYA	DATE 2004/02/06	TITLE EMBOSSD TAPE PACKAGE FOR 52207-***19 -LEAD FREE-	
	10 OVER 30 UNDER ±0.25	CHECKED BY K. TOJO	DATE 2004/02/06	MOLEX INCORPORATED	
	30 OVER ±0.3	APPROVED BY M. SASAO	DATE 2004/02/06	DOCUMENT NO. SD-52207-061	SHEET NO. 1 OF 3
	ANGULAR ±0.3	DRAFT WHERE APPLICABLE MUST REMAIN WITHIN DIMENSIONS		SEE TABLE	

10 9 8 7 6 5 4 3 2 1

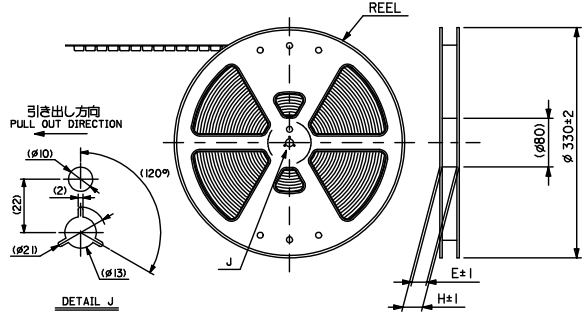


32	37.4	33.4	4.0	0.5	23.5	20	16.7	22.35	52207-1685	16
			4.2	0.6	22.5	19	15.7	21.35	4 -1585	15
			4.2	0.6	21.5	18	14.7	20.35	-1485	14
			4.2	0.6	20.5	17	13.7	19.35	7 -1385	13
			4.2	0.6	19.5	16	12.7	18.35	52207-1285	12
キャリアテープ幅 CARRIER TAPE WIDTH	H	E	(G)	(F)	(D)	(C)	(B)	(A)	MATERIAL NO.	極致 CKT.

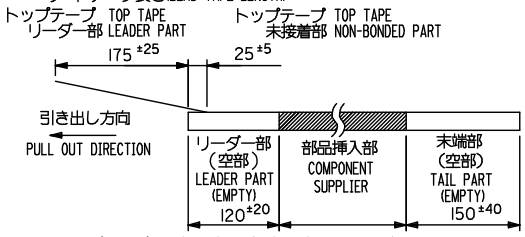
44	49.4	45.4	34.5	31	27.7	33.35	52207-2785	27
			33.5	30	26.7	32.35	4 -2685	26
			32.5	29	25.7	31.35	-2585	25
			31.5	28	24.7	30.35	-2485	24
			30.5	27	23.7	29.35	-2385	23
			29.5	26	22.7	28.35	-2285	22
			28.5	25	21.7	27.35	-2185	21
			27.5	24	20.7	26.35	-2085	20
			26.5	23	19.7	25.35	-1985	19
			25.5	22	18.7	24.35	7 -1885	18
			24.5	21	17.7	23.35	52207-1785	17
キャリアテープ幅 CARRIER TAPE WIDTH	H	E	(D)	(C)	(B)	(A)	MATERIAL NO.	極致 CKT.

REVISED EC NO. J2009-2061 DRAWN: KON CHIKO-HAMATSUMOTO APPROX: NIKITA REV: B	2009/05/20	2009/05/21	2009/05/21	GENERAL TOLERANCES (UNLESS SPECIFIED)	DIMENSION STYLE MM ONLY	SCALE ---	DESIGN UNITS METRIC	THIRD ANGLE PROJECTION
	10 UNDER	±0.2			DRAWN BY M. NINOMIYA	DATE 2004/02/06	TITLE EMBOSSED TAPE PACKAGE FOR 52207-**-19 -LEAD FREE-	
	10 OVER 30 UNDER	±0.25			CHECKED BY K. TOJO	DATE 2004/02/06		
	30 OVER	±0.3			APPROVED BY M. SASAO	DATE 2004/02/06		
ANGULAR	±3			DRAFT WHERE APPLICABLE MUST REMAIN WITHIN DIMENSIONS	SEE TABLE			
					MATERIAL NO.	DOCUMENT NO.	MOLEX INCORPORATED	
							SD-52207-061	SHEET NO. 2 OF 3
								EN-02JA(021)

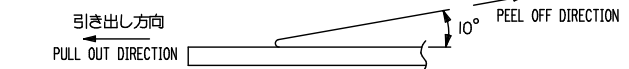
10 9 8 7 6 5 4 3 2 1



- 注記**
- 製品番号 52207-**-19 の梱包状態はアクチュエータがロックした状態とする。
詳細寸法については図面 SD-52207-060 を参照下さい。
IN THE PACKAGE, ACTUATOR OF PART NO. 52207-**-19 SHOULD BE LOCKED
RE DETAILED DIMENSIONS, SEE SD-52207-060
 - 梱包数量: 1000個/リール
NUMBER OF CONNECTORS: 1000PCS/REEL
 - リードテープ長さ(LEAD TAPE LENGTH)

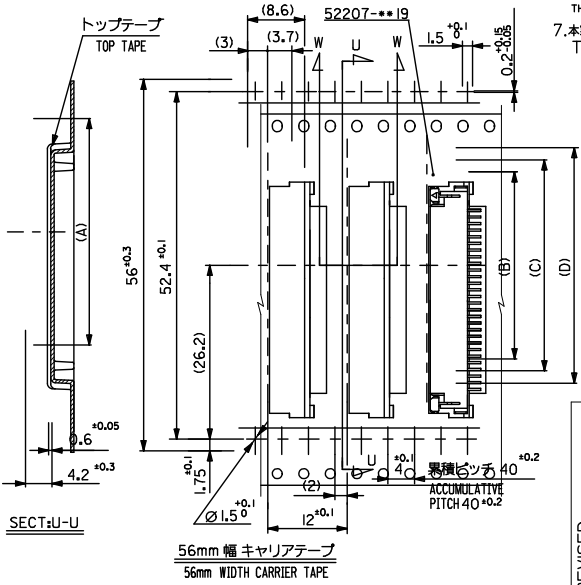


- トップテープの剥離強度: (剥離方向は下図参照)
0.1N ~ 1.3N(10gf ~ 130gf)MAX.尚、本規格値は、出荷時に適用。
(但し、輸送時に剥離が発生しない事。)
PEELING OFF FORCE OF TOP TAPE 0.1N ~ 1.3N(10gf ~ 130gf) MAX.
(PEELING DIRECTION AS SHOWN IN FOLLOWING FIG.)
THIS REQUIREMENT SHOULD BE APPLIED AT SHIPMENT.(PEEL OFF SHOULD NOT BE ALLOWED, DURING TRANSPORTATION)



- 材料 (MATERIAL)
キャリアテープ (CARRIER TAPE): ポリプロピレン (POLYPROPYLENE)
トップテープ (TOP TAPE): PET, PE, PEF
リール (REEL): ポリスチレン (PS) <リサイクル材を含む>
POLYSTYRENE (PS) <RECYCLE MATERIAL CONTAINED>

- 本製品は 52207-**-90 の鉛フリー品である。
THIS PRODUCT IS LEAD FREE OF 52207-**-90.
- 本製品は乾燥剤入り、ハイバリア梱包仕様である。
THIS PRODUCT IS HIGH BARRIER PACKAGE WITH DESICCANT.



52207-**-85	56	61.4	57.4	41.5	38	34.7	40.35	52207-3485	34
				37.5	34	30.7	36.35	52207-3085	30
				36.5	33	29.7	35.35	52207-2985	29
				35.5	32	28.7	34.35	52207-2885	28

REVISED EC NO. J2009-2061 DRAWN: KON CHIKO-HAMATSUMOTO APPROX: KUNITA REV: B	DESCRIPTION	GENERAL TOLERANCES (UNLESS SPECIFIED)	DIMENSION STYLE	SCALE	DESIGN UNITS	THIRD ANGLE PROJECTION
		10 UNDER ±0.2	MM ONLY	---	METRIC	◎
		10 OVER 30 UNDER ±0.25	DRAWN BY DATE			
		30 OVER ±0.3	CHECKED BY DATE			
	ANGULAR ±3	APPROVED BY DATE				
	DRAFT WHERE APPLICABLE WITHIN DIMENSIONS	MATERIAL NO.	SEE TABLE	DOCUMENT NO.		
		SIZE	A3			

EMBOSSED TAPE PACKAGE FOR 52207-**-19 -LEAD FREE-

MOLEX INCORPORATED

SD-52207-061

SHEET NO. 3 OF 3