

Excellent Integrated System Limited

Stocking Distributor

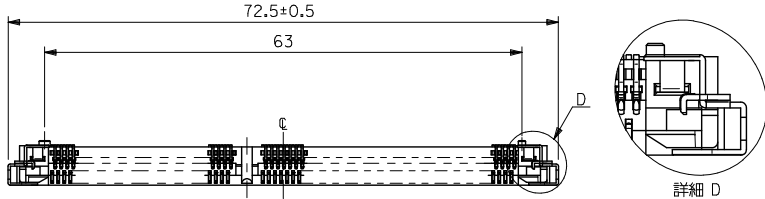
Click to view price, real time Inventory, Delivery & Lifecycle Information:

[Molex Connector Corporation](#)
[54698-7000](#)

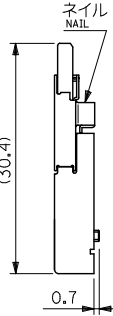
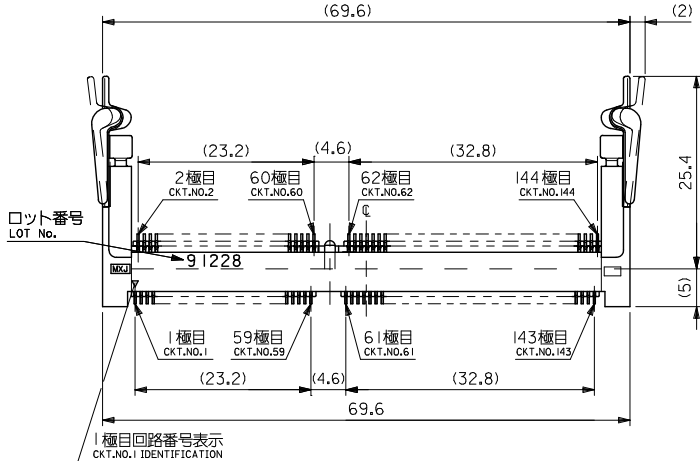
For any questions, you can email us directly:

sales@integrated-circuit.com

10 9 8 7 6 5 4 3 2 1

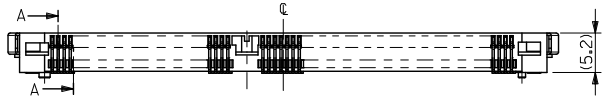


詳細 D
DETAIL D
(SCALE 5:1)



- 注記 NOTES
1. 材料 MATERIAL
ハウジング : G.F.HEAT RESISTANT PLASTIC,WHITE,UL94V-0
ターミナル : 燐青銅
TERMINAL : PHOSPHOR BRONZE
ネイル : 黄銅
NAIL : BRASS
 2. めっき仕様 PLATING
ロングターミナル LONG TERMINAL
接点部 : 金めっき 0.25μmMIN.
CONTACT AREA : GOLD 0.25 MICROMETER MINIMUM.
半田付け部 : 錫めっき 1.0μmMIN.
SOLDER TAIL AREA : TIN 1.0 MICROMETER MINIMUM.
下地めっき : ニッケルめっき 2.0 μmMIN.
UNDER-PLATING : NICKEL 2.0 MICROMETER MINIMUM.
ショートターミナル SHORT TERMINAL
接点部 : 金めっき 0.25μmMIN.
CONTACT AREA : GOLD 0.25 MICROMETER MINIMUM.
半田付け部 : 錫めっき 1.0μmMIN.
SOLDER TAIL AREA : TIN 1.0 MICROMETER MINIMUM.
下地めっき : ニッケルめっき 2.0 μmMIN.
UNDER-PLATING : NICKEL 2.0 MICROMETER MINIMUM.
ネイル NAIL
ネイルめっき : 1.0μmMIN.
TIN : 1.0 MICROMETER MINIMUM.
下地めっき : ニッケルめっき 1.0 μmMIN.
UNDER-PLATING : NICKEL 1.0 MICROMETER MINIMUM.
 3. テール平坦度は、0.1 MAX.とする。
TAIL COPLANARITY TO BE 0.1 MAX.
ネイル平坦度は、0.1 MAX.とする。
NAIL COPLANARITY TO BE 0.1 MAX.
 4. 本製品は54698-144*の鉛フリー品である。
THIS PRODUCT IS LEAD FREE OF 54698-144*.

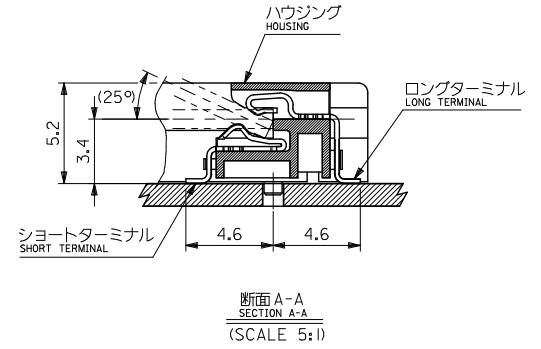
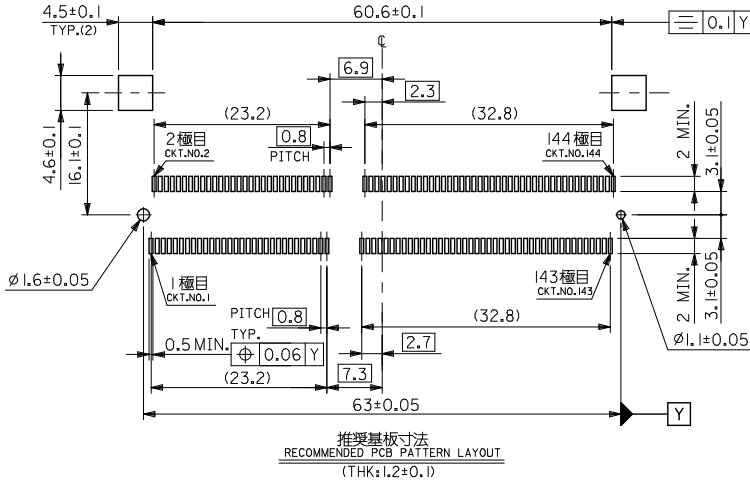
1.75	2.85	1.35	3.25	4.05	***V	ハードトレイ (高さ 9) HARD TRAY(HIGHT 9)	54698-7008	
						ハードトレイ (高さ 11) HARD TRAY(HIGHT 11)	54698-7005	
						標準トレイ NORMAL TRAY	54698-7002	
3.25	1.35	2.85	1.75	5.55	5.0V	ハードトレイ (高さ 9) HARD TRAY(HIGHT 9)	54698-7007	54698-7001*
						ハードトレイ (高さ 11) HARD TRAY(HIGHT 11)	54698-7004	
						標準トレイ NORMAL TRAY	54698-7001	
2.5	2.1	2.1	2.5	4.8	3.3V	ハードトレイ (高さ 11) HARD TRAY(HIGHT 11)	54698-7003	
						標準トレイ NORMAL TRAY	54698-7000	
E	D	C	B	A	POWER SUPPLY	標準トレイ PACKAGING TRAY	MATERIAL NO.	MODEL NO.



REVISED EC NO. J2013-0247 DRAWN:GOTO CHKD:ANTOMITA APPR:YOTO 2012/08/28 2012/08/28 2012/08/28	GENERAL TOLERANCES (UNLESS SPECIFIED)		DIMENSION STYLE MM ONLY		SCALE 2:1	DESIGN UNITS METRIC	THIRD ANGLE PROJECTION
	10 UNDER	±0.2	DRAWN BY MNAGATA	DATE 2004/05/14	0.8MM PITCH S.O.DIMM SOCKET 144CKT.H=5.2 -LEAD FREE-		
	10 OVER 30 UNDER	±0.25	CHECKED BY KTOJO	DATE 2004/05/14			
	30 OVER	±0.3	APPROVED BY MSASAO	DATE 2004/05/14			
ANGULAR ±3 °		MATERIAL NO.		DOCUMENT NO. SD-54698-004			
DRAFT WHERE APPLICABLE MUST REMAIN WITHIN DIMENSIONS		SEE CHART			THIS DRAWING CONTAINS INFORMATION THAT IS PROPRIETARY TO MOLEX INCORPORATED AND SHOULD NOT BE USED WITHOUT WRITTEN PERMISSION		

9 8 7 6 5 4 3 2

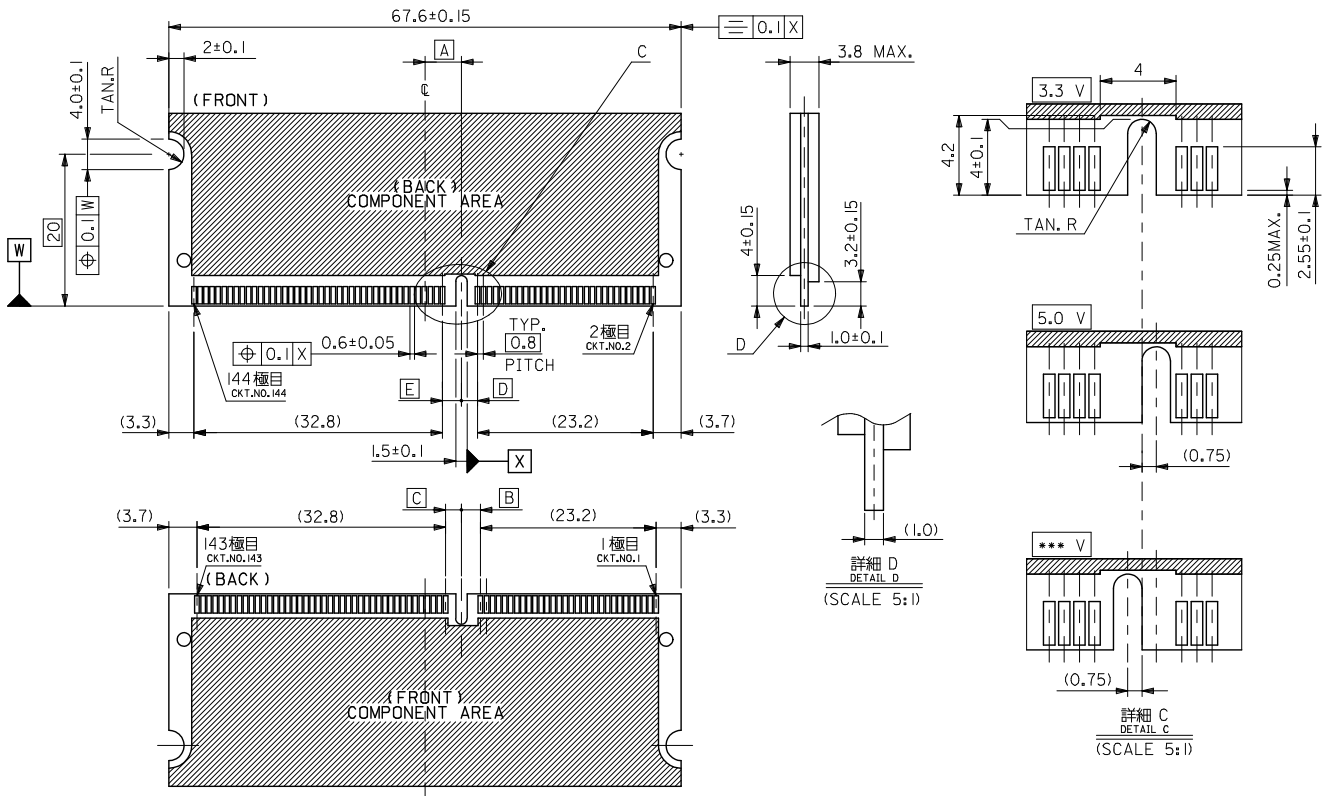
10 9 8 7 6 5 4 3 2 1



REVISED EC NO. J2013-0247 DRAWN:GOTO CHKD:ANTOMITA APPR:YOTO 2012/08/28 2012/08/28 2012/08/28	GENERAL TOLERANCES (UNLESS SPECIFIED)		DIMENSION STYLE	SCALE	DESIGN UNITS	THIRD ANGLE PROJECTION
			MM ONLY	2:1	METRIC	
	10 UNDER	± 0.2	DRAWN BY	DATE	TITLE	
	10 OVER 30 UNDER	± 0.25	MNAGATA	2004/05/14	0.8MM PITCH S.O.DIMM SOCKET 144CKT.H=5.2 -LEAD FREE-	
30 OVER	± 0.3	CHECKED BY	DATE			
ANGULAR	± 3 °	APPROVED BY	DATE			
DRAFT WHERE APPLICABLE MUST REMAIN WITHIN DIMENSIONS		MSASAO	2004/05/14			
		MATERIAL NO.	SEE CHART	DOCUMENT NO.	SD-54698-004	SHEET NO. 2 OF 3
		SIZE	A3	THIS DRAWING CONTAINS INFORMATION THAT IS PROPRIETARY TO MOLEX INCORPORATED AND SHOULD NOT BE USED WITHOUT WRITTEN PERMISSION		

9 8 7 6 5 4 3 2

10 9 8 7 6 5 4 3 2 1



推奨基板寸法
RECOMMENDED MATING BOARD CONFIGURATION
(THK: 1.0±0.1)

REVISED EC NO.: J2013-0247 DRAWN: GOTO CHKD: MITSU APPR: YOTO REV C	2012/08/28	GENERAL TOLERANCES (UNLESS SPECIFIED)	DIMENSION STYLE MM ONLY	SCALE 2:1	DESIGN UNITS METRIC	THIRD ANGLE PROJECTION
	2012/08/28	10 UNDER ± 0.2	DRAWN BY MNAGATA	DATE 2004/05/14	TITLE 0.8MM PITCH S.O.DIMM SOCKET 144CKT.H=5.2 -LEAD FREE-	
	2012/08/28	10 OVER 30 UNDER ± 0.25	CHECKED BY KTOJO	DATE 2004/05/14		
		30 OVER ± 0.3	APPROVED BY MSASAO	DATE 2004/05/14		DOCUMENT NO. SD-54698-004
	ANGULAR ± 3 °	MATERIAL NO. SEE CHART		SHEET NO. 3 OF 3		
DRAFT WHERE APPLICABLE MUST REMAIN WITHIN DIMENSIONS			THIS DRAWING CONTAINS INFORMATION THAT IS PROPRIETARY TO MOLEX INCORPORATED AND SHOULD NOT BE USED WITHOUT WRITTEN PERMISSION			

9 8 7 6 5 4 3 2