

## Excellent Integrated System Limited

Stocking Distributor

Click to view price, real time Inventory, Delivery & Lifecycle Information:

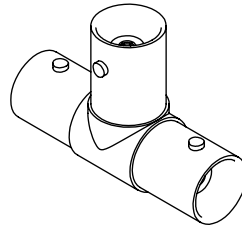
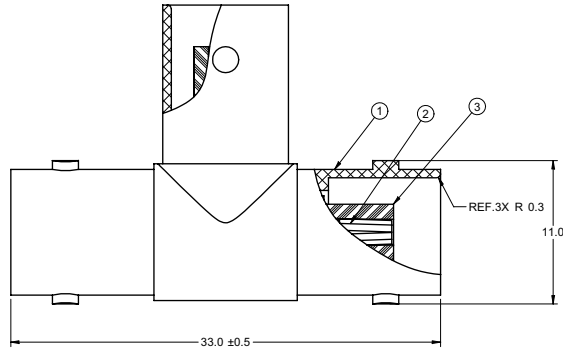
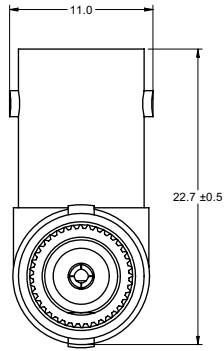
[Cinch Connectivity Solutions](#)  
[27-8141](#)

For any questions, you can email us directly:  
[sales@integrated-circuit.com](mailto:sales@integrated-circuit.com)

ITEM ①	ITEM ②	ITEM ③
PART NUMBER	BODY	CONTACT
27-8141	ZINC NICKEL PLATED	BERYLLIUM GOLD PLATED
		INSULATOR
		TPX

受控 CONTROLLED DOCUMENT				
编号 P/N	27-8141	版本 Rev	01	日期 Rel'd Date
				May8,09

DRAWING NO.	27-8141
REVISIONS	
01	OFFICIAL RELEASE
04-13-09	1



NOTES:

1. IMPEDANCE: 50 OHMS NOMINAL
2. FREQUENCY RANGE: 0-4 GHz
3. RECOMMENDED TEMPERATURE RANGE: -55 °C TO +85 °C
4. FURTHER TECHNICAL DETAIL: REFER TO EMERSON DOCUMENT P/N 27-0000

THIS DRAWING TO BE INTERPRETED PER ANSI Y 14.5M - 1994

**COMPANY CONFIDENTIAL**

TOLERANCE UNLESS OTHERWISE SPECIFIED	DRAWN BY	DATE
DECIMALS	GARY ZHG	04-13-09
X	CHECKED BY	DATE
+0.5	BETTY YU	04-13-09
XX	APPROVED BY	DATE
+0.2	THOMAS	04-13-09
XXX		
+0.1		
ANGLES	U/M	mm
+0.5°		

EMERSON Network Power		Connectivity Solutions
TITLE		
50 OHM BNC T ADAPTER		
SHEET	DRAWING NO.	SIZE
1 OF 1	27-8141	C

THIS DRAWING WAS PRODUCED BY COMPUTER. DO NOT SCALE DRAWING OR UPDATE MANUALLY.