

Excellent Integrated System Limited

Stocking Distributor

Click to view price, real time Inventory, Delivery & Lifecycle Information:

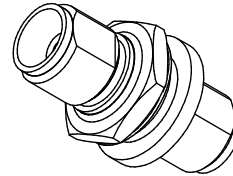
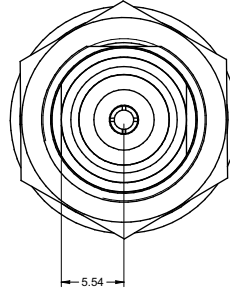
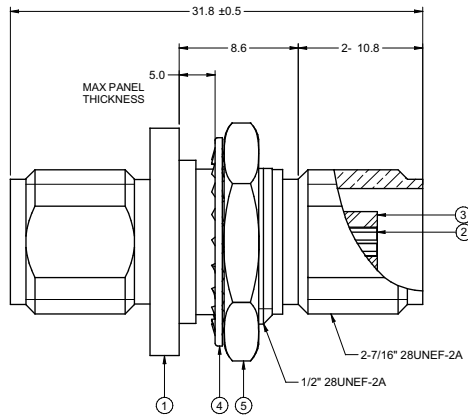
[Cinch Connectivity Solutions](#)
[CP-AD356](#)

For any questions, you can email us directly:
sales@integrated-circuit.com

| PART NUMBER | ITEM ① BODY | ITEM ② CONTACT | ITEM ③ INSULATOR | ITEM ④ LOCK WASHER | ITEM ⑤ HEX NUT |
|-------------|------------------------|---------------------------|---------------------|------------------------|------------------------|
| 27-9067 | BRASS NICKEL PLATED | BERYLLIUM Ni/Au PLATED | TPX | BRASS NICKEL PLATED | BRASS NICKEL PLATED |

| | |
|------------------------|------------------------------|
| DRAWING NO. 27-9067 | |
| REVISIONS | |
| 01 | OFFICIAL RELEASE 08-18-09 |

D
C
B
A



NOTES:

1. TECHNICAL DETAIL: REFER TO EMERSON DOCUMENT P/N 28-0000

| 受控 CONTROLLED DOCUMENT | | | | |
|------------------------|---------|-----------|----|------------------|
| 编号 P/N | 27-9067 | 版本 Rev | 01 | 日期 Rel'd Date |
| | | | | SEP 17, 09 |

| | | | |
|---|------------------------|------------------|--|
| TOLERANCE UNLESS OTHERWISE SPECIFIED | DRAWN BY VON WANG | DATE 08-18-09 | <p>EMERSON Connectivity Solutions</p> |
| DECIMALS | CHECKED BY BETTY YU | DATE 08-18-09 | |
| X | APPROVED BY THOMAS | DATE 08-18-09 | |
| ANGLES | U/M | mm | |
| THIS DRAWING WAS PRODUCED BY COMPUTER. DO NOT SCALE DRAWING OR UPDATE MANUALLY. | | | <p>TITLE CPAD356 TNC(F-F) CHAS MNT 1/2"</p> <p>SHEET 1 OF 1</p> <p>DRAWING NO. 27-9067</p> <p>SIZE C</p> |

THIS DRAWING TO BE INTERPRETED PER ANSI Y 14.5M - 1994
COMPANY CONFIDENTIAL

5

4

3

2

1