

Excellent Integrated System Limited

Stocking Distributor

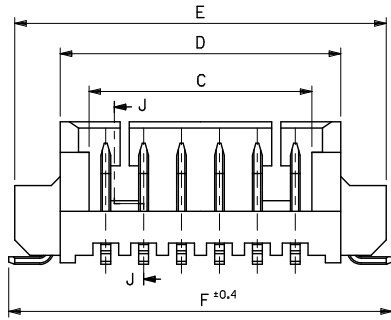
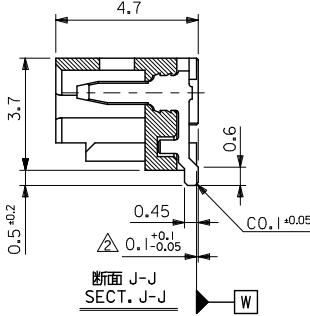
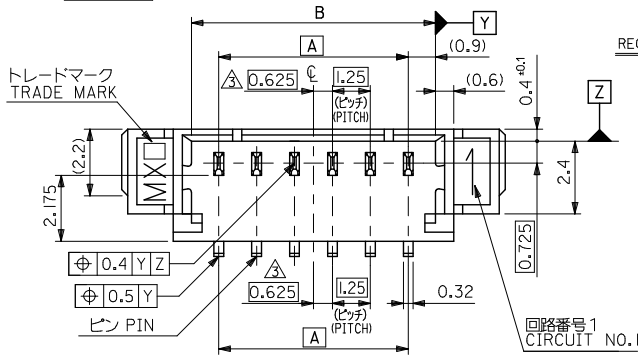
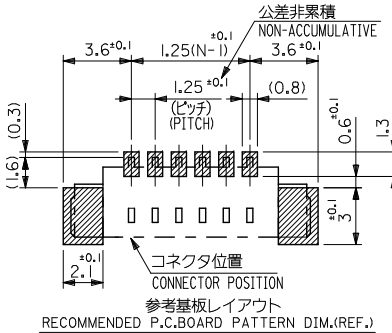
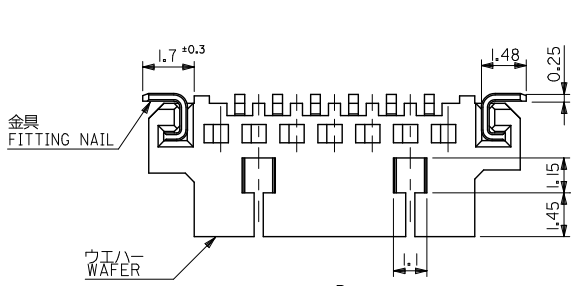
Click to view price, real time Inventory, Delivery & Lifecycle Information:

[Molex Connector Corporation](#)
[0533980471](#)

For any questions, you can email us directly:

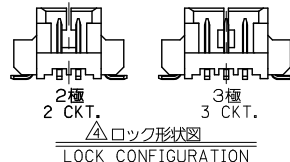
sales@integrated-circuit.com

10 9 8 7 6 5 4 3 2 1



注記 NOTES

- 嵌合相手:51021シリーズ MATE WITH :51021 SERIES
- 水平面上においての、ウエハー底面 W とソルダーテール及びフィッティングネイル底面とのズレ量を示す。
MISALIGNMENT OF SOLDER TAIL & FITTING NAIL FROM W 偶数極にのみ適用。APPLY EVEN CIRCUIT PRODUCTS.
- ロック窓は、2、3極は1ヶ所、4極以上は2ヶ所とする。
LOCKING WINDOW : ONE PLACE FOR 2&3 CKTS. TWO PLACES FOR MORE THAN 4 CKTS.
- 材質 MATERIAL PA, UL94V-0 COLOR:NATURAL
ウエハー WAFER :リン青銅
ピン PIN :リン青銅
 :PHOS-BRO
 :鍍メッキ 1.0マイクromメートル以上
 :MATTE TIN 1.0 MICROMETER MINIMUM
 :ニッケル下地 1.0マイクromメートル以上
 :NICKEL UNDER PLATING 1.0 MICROMETER MINIMUM
- 金具 FITTING NAIL :リン青銅
 :PHOS-BRO
 :鍍メッキ 1.0マイクromメートル以上
 :MATTE TIN 1.0 MICROMETER MINIMUM
 :ニッケル下地 1.0マイクromメートル以上
 :NICKEL UNDER PLATING 1.0 MICROMETER MINIMUM
- 本製品は 53398-***10 の鉛フリー品である。
THIS PRODUCT IS LEAD FREE OF 53398-***10.
- ソルダーテール及び金具の平坦度は0.1以下、
SOLDER TAIL & FITTING NAIL COPLANARITY TO BE 0.1 MAX.
- ELV及びRoHS適合品
ELV AND RoHS COMPLIANT.



GENERAL TOLERANCES (UNLESS SPECIFIED)				DIMENSION STYLE		SCALE	MODEL NO.	
				MM ONLY		8:1	DESIGN UNITS	53398-***19
0.25	UNDER	UNDER	±0.03	DRAWN BY	DATE	TITLE	METRIC	THIRD ANGLE PROJECTION
0.25	OVER	0.5	UNDER	MNINOMIYA	04/02/06	1.25 W/B CONN. ASS'Y FOR SMT(ST.)		
0.5	OVER	1.0	UNDER	CHECKED BY	DATE	-LEAD FREE-		
1.0	OVER	10	UNDER	KTOJO	04/02/06	molex		
10	OVER	30	UNDER	APPROVED BY	DATE	SD-53398-032		
30	OVER		±0.3	MSASAO	04/02/06	DOCUMENT NO.		
ANGULAR			±3°	SEE CHART		SHEET NO.		
DRAFT WHERE APPLICABLE MUST REMAIN WITHIN DIMENSIONS				SIZE	THIS DRAWING CONTAINS INFORMATION THAT IS PROPRIETARY TO MOLEX ELECTRONIC TECHNOLOGIES, LLC AND SHOULD NOT BE USED WITHOUT WRITTEN PERMISSION			
				A3				

9 8 7 6 5 4 3 2 1

10 9 8 7 6 5 4 3 2 1

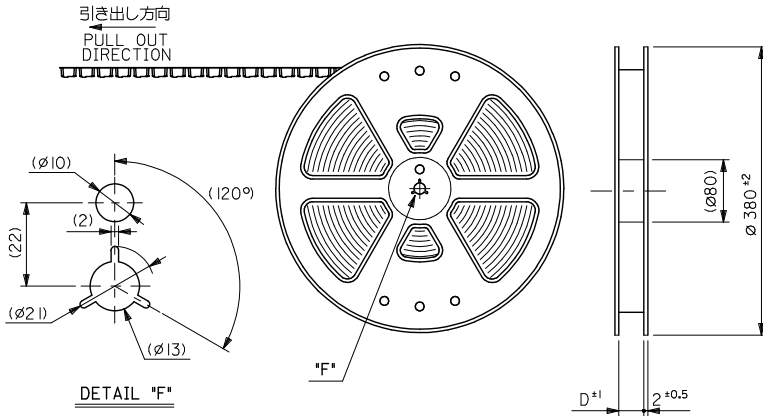
23.9	23.5	20.5	18.6	19.3	17.5	53398-1571	15
22.65	22.25	19.25	17.35	18.05	16.25	53398-1471	14
21.4	21	18	16.1	16.8	15	53398-1371	13
20.15	19.75	16.75	14.85	15.55	13.75	53398-1271	12
18.9	18.5	15.5	13.6	14.3	12.5	53398-1171	11
17.65	17.25	14.25	12.35	13.05	11.25	53398-1071	10
16.4	16	13	11.1	11.8	10	53398-0971	9
15.15	14.75	11.75	9.85	10.55	8.75	53398-0871	8
13.9	13.5	10.5	8.6	9.3	7.5	53398-0771	7
12.65	12.25	9.25	7.35	8.05	6.25	53398-0671	6
11.4	11	8	6.1	6.8	5	53398-0571	5
10.15	9.75	6.75	4.85	5.55	3.75	53398-0471	4
8.9	8.5	5.5	3.6	4.3	2.5	53398-0371	3
7.65	7.25	4.25	2.35	3.05	1.25	53398-0271	2
F	E	D	C	B	A	EMBOSSED TAPE PKG. (HIGH BARRIER PKG.) ORDER No.	種 類 の 数 を 示 す

CONNECTOR SERIES NO. 53398-***19

REVISED EC NO: J2016-1122 DRAWING: T1 CHKD: SAKIYAMA APPR: IKANEKO REV DESCRIPTION 2016/04/27 2016/05/06 2016/05/06	GENERAL TOLERANCES (UNLESS SPECIFIED)		DIMENSION STYLE		SCALE	DESIGN UNITS	THIRD ANGLE PROJECTION	
	(UNLESS SPECIFIED)		MM ONLY		8:1	METRIC		
	0.25 UNDER	UNDER	±0.03	DRAWN BY	DATE	TITLE		
	0.25 OVER	0.5 UNDER	±0.05	MNINOMIYA	04/02/06	1.25 W/B CONN. ASSY FOR SMT(ST.) -LEAD FREE-		
	0.5 OVER	1.0 UNDER	±0.1	CHECKED BY	DATE			
	1.0 OVER	10 UNDER	±0.2	KTOJO	04/02/06			
10 OVER	30 UNDER	±0.25	APPROVED BY	DATE				
30 OVER		±0.3	MSASAO	04/02/06	DOCUMENT NO.			
ANGULAR	±3 °		MATERIAL NO.		SEE CHART		SHEET NO.	
DRAFT WHERE APPLICABLE MUST REMAIN WITHIN DIMENSIONS			SIZE	THIS DRAWING CONTAINS INFORMATION THAT IS PROPRIETARY TO MOLEX ELECTRONIC TECHNOLOGIES, LLC AND SHOULD NOT BE USED WITHOUT WRITTEN PERMISSION				
			A3	SD-53398-032				2 OF 2

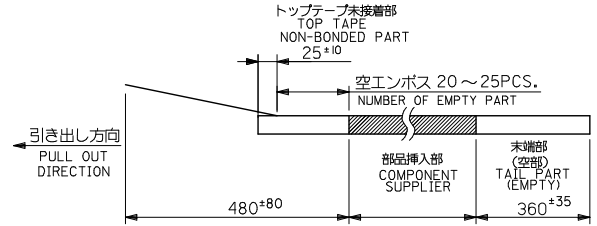
9 8 7 6 5 4 3 2 1

10 9 8 7 6 5 4 3 2 1

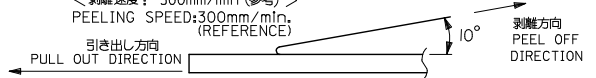


NOTES

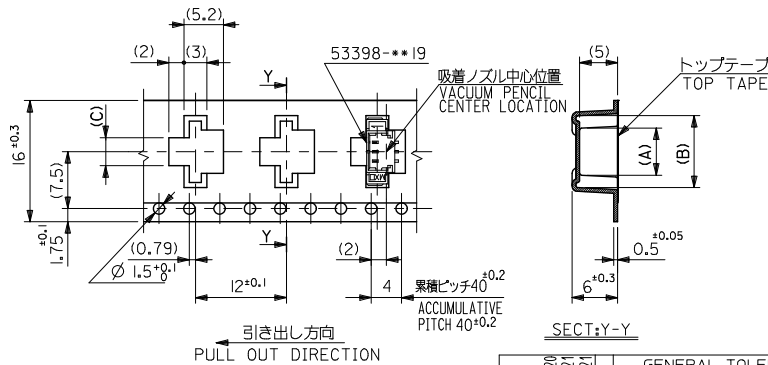
1. 梱包数量：1000個/リール
NUMBER OF CONNECTOR:1000PCS/REEL
2. リードテープ長さ
LEAD TAPE LENGTH



3. トップテープの剥離強度：0.6±0.35N(60±35gf) (剥離方向は下図参照)
PEELING OFF FORCE OF TOP TAPE:0.6±0.35N(60±35gf) (PEELING DIRECTION IS SHOWN IN FOLLOWING FIG.)
<剥離速度：300mm/min(参考)>
PEELING SPEED:300mm/min. (REFERENCE)



4. 53398-***19 の詳細寸法については図面 SD-53398-032 を参照下さい。
RE DETAILED DIMENSIONS,SEE SD-53398-032.
5. 材料 (MATERIAL)
キャリアテープ(CARRIER TAPE):ポリプロピレン(POLYPROPYLENE)
トップテープ (TOP TAPE): PET ,PE ,PEF
リール (REEL):ポリスチレン (P.S) <リサイクル材含む>
POLYSTYREN(PS) <RECYCLE MATERIAL CONTAINED>
6. 本製品は 53398-***90 の鉛フリー品である。
THIS PRODUCT IS LEAD FREE OF 53398-***90.
7. 本製品は乾燥剤入り、ハイバリア梱包仕様である。
THIS PRODUCT IS HIGH BARRIER PACKAGE WITH DESICCANT.



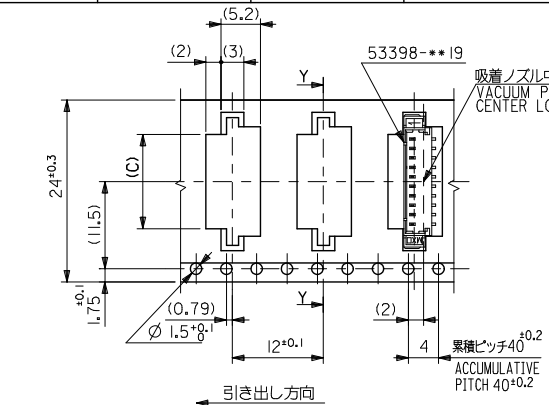
引き出し方向
PULL OUT DIRECTION

16幅テープ
(TAPE WIDTH:16)

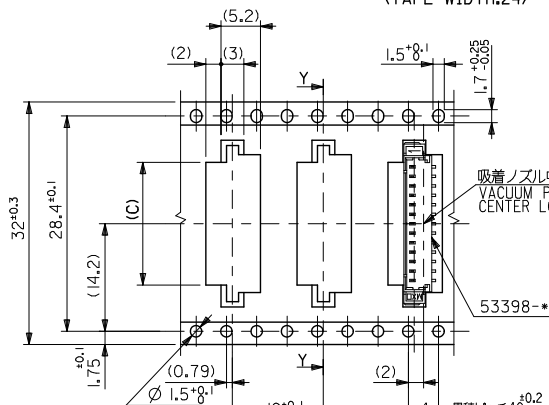
16	21.4	17.4	3.7	9.5	5.8	53398-037I	3
キャリアテープ幅 CARRIER TAPE WIDTH	E	D	2.45	8.25	4.55	53398-027I	2
	(C)	(B)	(A)	(A)	MATERIAL NO.		種数 CKT.

REVISED EC NO. J2009-2060 DRAWN: KON CHIKUHAMATSUMOTO APPROX: MUKITA 2009/05/20 2009/05/21 2009/05/21	GENERAL TOLERANCES (UNLESS SPECIFIED)		DIMENSION STYLE MM ONLY		SCALE ---	DESIGN UNITS METRIC	THIRD ANGLE PROJECTION
	10 UNDER	±0.2	DRAWN BY NINOMIYA	DATE '04/02/06	TITLE 1.25 W/B CONN WAFER ASSY FOR SMT. EMBSTP. PKG. -LEAD FREE-		
	10 OVER 30 UNDER	±0.25	CHECKED BY K. TOJO	DATE '04/02/06	MOLEX INCORPORATED		
	30 OVER	±0.3	APPROVED BY M. SASAO	DATE '04/02/06	DOCUMENT NO. SD-53398-033		
	ANGULAR ±3 °	DRAFT WHERE APPLICABLE MUST REMAIN WITHIN DIMENSIONS		SEE TABLE & SHEET 2.3	SHEET NO. 1 OF 3		
B		SIZE A THIS DRAWING CONTAINS INFORMATION THAT IS PROPRIETARY TO MOLEX INCORPORATED AND SHOULD NOT BE USED WITHOUT WRITTEN PERMISSION					

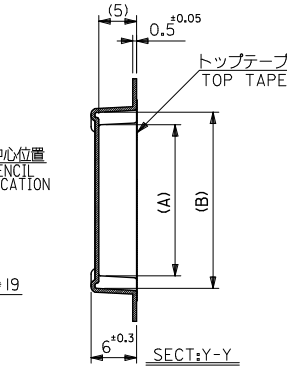
10 9 8 7 6 5 4 3 2 1



引き出し方向
PULL OUT DIRECTION
24幅テープ
(TAPE WIDTH:24)



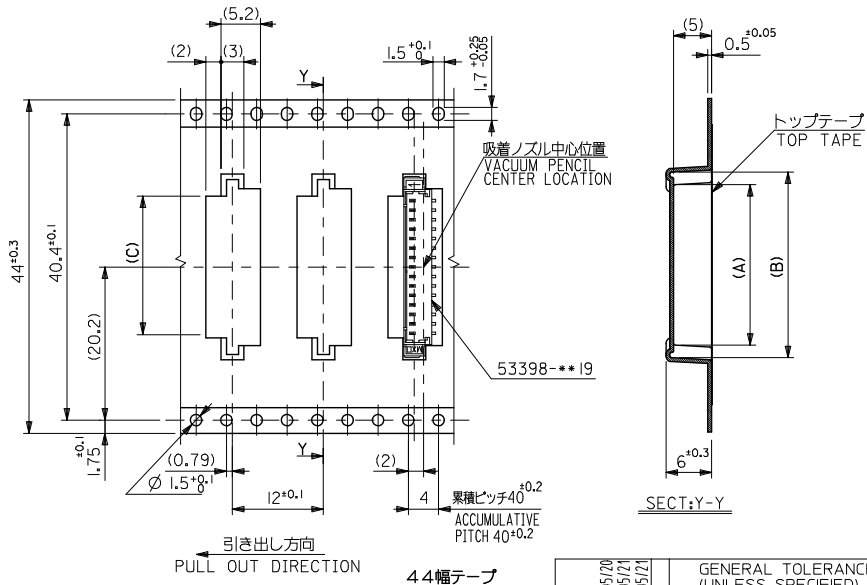
引き出し方向
PULL OUT DIRECTION
32幅テープ
(TAPE WIDTH:32)



32	37.4	33.4	16.2	22	18.3	53398-1371	13
			14.95	20.75	17.05	-1271	12
24	29.4	25.4	13.7	19.5	15.8	-1171	11
			12.45	18.25	14.55	-1071	10
			11.2	17	13.3	-0971	9
			9.95	15.75	12.05	-0871	8
			8.7	14.5	10.8	-0771	7
			7.45	13.25	9.55	-0671	6
			6.2	12	8.3	-0571	5
			4.95	10.75	7.05	53398-0471	4
キャリアテープ幅 CARRIER TAPE WIDTH			(C)	(B)	(A)	MATERIAL NO.	極致 CKT.

REVISED EC NO. J2009-2060 DRAWN: KON CHIKUHAMATSUMOTO APPROVAL: MUKITA	2009/05/20	2009/05/21	2009/05/21	DESCRIPTION	GENERAL TOLERANCES (UNLESS SPECIFIED)	DIMENSION STYLE MM ONLY	SCALE ---	DESIGN UNITS METRIC	THIRD ANGLE PROJECTION
	10	UNDER	±0.2		DRAWN BY NINOMIYA	DATE '04/02/06	TITLE 1.25 W/B CONN WAFER ASSY FOR SMT. EMBSTP. PKG. -LEAD FREE-	MOLEX INCORPORATED	
	10	OVER	30	UNDER	CHECKED BY K. TOJO	DATE '04/02/06	APPROVED BY M. SASAO	DATE '04/02/06	DOCUMENT NO. SD-53398-033
	30	OVER	±0.3		MATERIAL NO. SEE TABLE & SHEET 1.3	SHEET NO. 2 OF 3	THIS DRAWING CONTAINS INFORMATION THAT IS PROPRIETARY TO MOLEX INCORPORATED AND SHOULD NOT BE USED WITHOUT WRITTEN PERMISSION		

10 9 8 7 6 5 4 3 2 1



44	49.4	45.4	18.7	24.5	20.8	53398-1571	15
キャリアテープ幅 CARRIER TAPE WIDTH	E	D	(C)	(B)	(A)	53398-1471	14
						MATERIAL NO.	種数 CKT.

REVISED EC NO. J2009-2060 DRAWN BY CHIKDHATSUMOTO APPROVAL BY CHIKDHATSUMOTO	DESCRIPTION	GENERAL TOLERANCES (UNLESS SPECIFIED)	DIMENSION STYLE MM ONLY	SCALE ---	DESIGN UNITS METRIC	THIRD ANGLE PROJECTION
	10 UNDER	± 0.2	DRAWN BY NINOMIYA	DATE '04/02/06	TITLE 1.25 W/B CONN WAFER ASSY FOR SMT. EMBSTP. PKG. -LEAD FREE-	
	10 OVER 30 UNDER	± 0.25	CHECKED BY K. TOJO	DATE '04/02/06	APPROVED BY M. SASAO	
	30 OVER	± 0.3	DATE '04/02/06	MATERIAL NO. SEE TABLE & SHEET 12		DOCUMENT NO. SD-53398-033
ANGULAR ± 3 °		DRAFT WHERE APPLICABLE MUST REMAIN WITHIN DIMENSIONS	SIZE A3		THIS DRAWING CONTAINS INFORMATION THAT IS PROPRIETARY TO MOLEX INCORPORATED AND SHOULD NOT BE USED WITHOUT WRITTEN PERMISSION	