

## Excellent Integrated System Limited

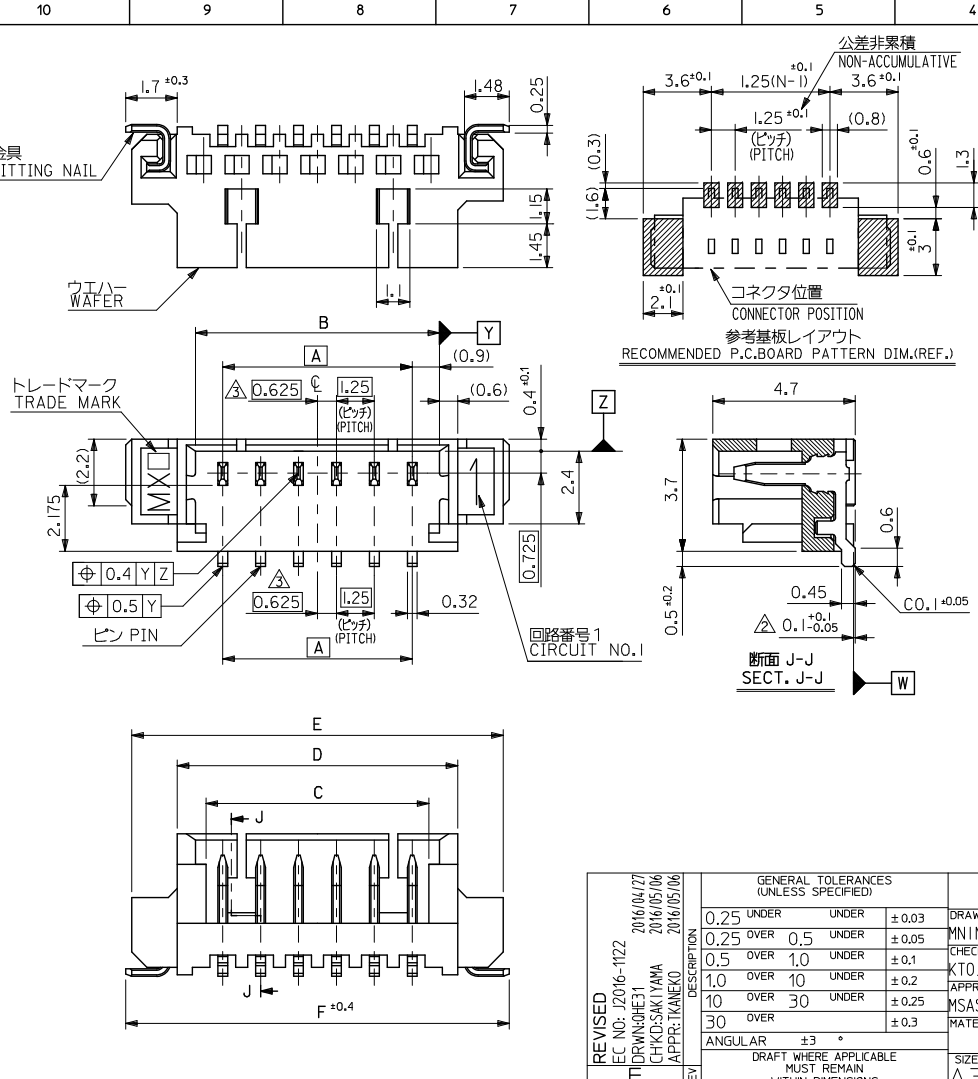
Stocking Distributor

Click to view price, real time Inventory, Delivery & Lifecycle Information:

[Molex Connector Corporation](#)  
[0533981071](#)

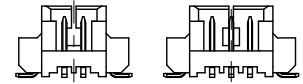
For any questions, you can email us directly:

[sales@integrated-circuit.com](mailto:sales@integrated-circuit.com)



注記 NOTES

1. 嵌合相手 : 51021シリーズ MATE WITH : 51021 SERIES
- ⚠ 水平面上においての、ウェハー底面 [W] とソルダーテール及びフィッティングネイル底面とのズレ量を示す。  
MISALIGNMENT OF SOLDER TAIL & FITTING NAIL FROM [W]
- ⚠ 偶数極にのみ適用。APPLY EVEN CIRCUIT PRODUCTS.
- ⚠ ロック窓は、2、3極は1ヶ所、4極以上は2ヶ所とする。  
LOCKING WINDOW : ONE PLACE FOR 2&3 CKTS.  
TWO PLACES FOR MORE THAN 4 CKTS.
5. 材質 MATERIAL PA, UL94V-0 COLOR:NATURAL  
ウェハー : WAFER  
ピン : リン青銅  
PIN : PHOS-BRO  
ソルダーテール : 錫メッキ 1.0マイクrometer以上  
MATE TAIL : MATTE TIN 1.0 MICROMETER MINIMUM  
ウェハー下地 : ニッケル下地 1.0マイクrometer以上  
WAFER UNDER PLATING : NICKEL UNDER PLATING 1.0 MICROMETER MINIMUM
6. 本製品は 53398-\*\*\*10 の鉛フリー品である。  
THIS PRODUCT IS LEAD FREE OF 53398-\*\*\*10.
7. ソルダーテール及び金具の平坦度は0.1以下、  
SOLDER TAIL & FITTING NAIL COPLANARITY TO BE 0.1 MAX.
8. ELV及びRoHS適合品  
ELV AND RoHS COMPLIANT.



2極 2 CKT. 3極 3 CKT.  
△ ロック形状図  
LOCK CONFIGURATION

REVISED	EC NO. J2016-1122	2016/04/27	GENERAL TOLERANCES (UNLESS SPECIFIED)		DIMENSION STYLE		SCALE	MODEL NO.	53398-***19
	T1 DRAWING E31	2016/05/06	0.25 UNDER UNDER ±0.03	0.25 OVER 0.5 UNDER ±0.05	MM ONLY	8:1	DESIGN UNITS	THIRD ANGLE PROJECTION	
DRW: SMI YAMA	2016/05/06	0.5 OVER 1.0 UNDER ±0.1	1.0 OVER 10 UNDER ±0.2	MNINOMIYA	DATE	04/02/06	METRIC	①	
APPR: I KANEKO	2016/05/06	10 OVER 30 UNDER ±0.25	30 OVER ±0.3	CHECKED BY	DATE	04/02/06	1.25 W/B CONN. ASS'Y FOR SMT(ST.) -LEAD FREE-		
DESCRIPTION				APPROVED BY	DATE	04/02/06	<b>molex</b>		
ANGULAR ±3 °				MATERIAL NO.	DOCUMENT NO.	SEE CHART		SHEET NO.	
DRAFT WHERE APPLICABLE MUST REMAIN WITHIN DIMENSIONS				SIZE	THIS DRAWING CONTAINS INFORMATION THAT IS PROPRIETARY TO MOLEX ELECTRONIC TECHNOLOGIES, LLC AND SHOULD NOT BE USED WITHOUT WRITTEN PERMISSION				
				3	SD-53398-032				
				A3	1 OF 2				

10 9 8 7 6 5 4 3 2 1

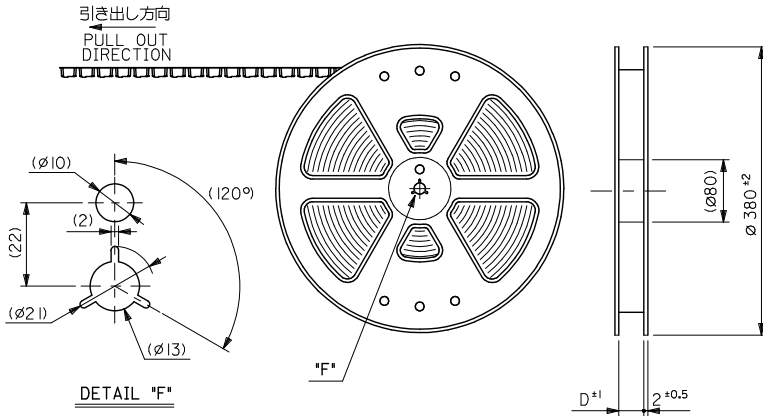
23.9	23.5	20.5	18.6	19.3	17.5	53398-1571	15
22.65	22.25	19.25	17.35	18.05	16.25	53398-1471	14
21.4	21	18	16.1	16.8	15	53398-1371	13
20.15	19.75	16.75	14.85	15.55	13.75	53398-1271	12
18.9	18.5	15.5	13.6	14.3	12.5	53398-1171	11
17.65	17.25	14.25	12.35	13.05	11.25	53398-1071	10
16.4	16	13	11.1	11.8	10	53398-0971	9
15.15	14.75	11.75	9.85	10.55	8.75	53398-0871	8
13.9	13.5	10.5	8.6	9.3	7.5	53398-0771	7
12.65	12.25	9.25	7.35	8.05	6.25	53398-0671	6
11.4	11	8	6.1	6.8	5	53398-0571	5
10.15	9.75	6.75	4.85	5.55	3.75	53398-0471	4
8.9	8.5	5.5	3.6	4.3	2.5	53398-0371	3
7.65	7.25	4.25	2.35	3.05	1.25	53398-0271	2
F	E	D	C	B	A	EMBOSSED TAPE PKG. (HIGH BARRIER PKG.) ORDER No.	種別 No. of CRTS.

CONNECTOR SERIES NO. 53398-\*\*\*19

REVISED EC NO: J2016-1122 T1 DRAWING: 2016/04/27 CHIKO-SAKIYAMA 2016/05/06 APPR: IKANEKO 2016/05/06 REV DESCRIPTION	GENERAL TOLERANCES (UNLESS SPECIFIED)		DIMENSION STYLE		SCALE	DESIGN UNITS	THIRD ANGLE PROJECTION
	0.25 UNDER	UNDER	±0.03	MM ONLY	8:1	METRIC	
	0.25 OVER	0.5 UNDER	±0.05	DRAWN BY	DATE	TITLE	
	0.5 OVER	1.0 UNDER	±0.1	MNINOMIYA	04/02/06	1.25 W/B CONN. ASSY FOR SMT(ST.) -LEAD FREE-	
	1.0 OVER	10 UNDER	±0.2	CHECKED BY	DATE		
	10 OVER	30 UNDER	±0.25	KTOJO	04/02/06		
30 OVER		±0.3	APPROVED BY	DATE			
ANGULAR	±3 °		MSASAO	04/02/06			
DRAFT WHERE APPLICABLE MUST REMAIN WITHIN DIMENSIONS			MATERIAL NO.	DOCUMENT NO.		SHEET NO.	
			SEE CHART	SD-53398-032		2 OF 2	
			THIS DRAWING CONTAINS INFORMATION THAT IS PROPRIETARY TO MOLEX ELECTRONIC TECHNOLOGIES, LLC AND SHOULD NOT BE USED WITHOUT WRITTEN PERMISSION				

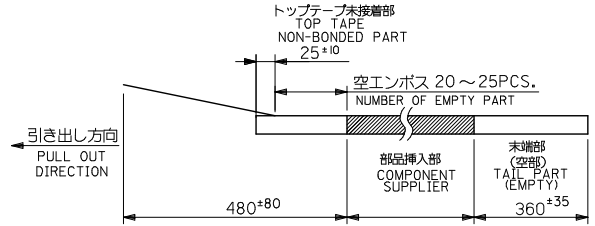
9 8 7 6 5 4 3 2 1

10 9 8 7 6 5 4 3 2 1

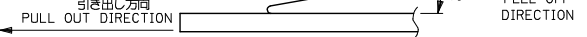


**NOTES**

1. 梱包数量: 1000個/リール  
NUMBER OF CONNECTOR: 1000PCS/REEL
2. リードテープ長さ  
LEAD TAPE LENGTH



3. トップテープの剥離強度:  $0.6 \pm 0.35N(60 \pm 35gf)$  (剥離方向は下図参照)  
PEELING OFF FORCE OF TOP TAPE:  $0.6 \pm 0.35N(60 \pm 35gf)$  (PEELING DIRECTION IS SHOWN IN FOLLOWING FIG.)  
<剥離速度: 300mm/min (参考)>  
PEELING SPEED: 300mm/min. (REFERENCE)

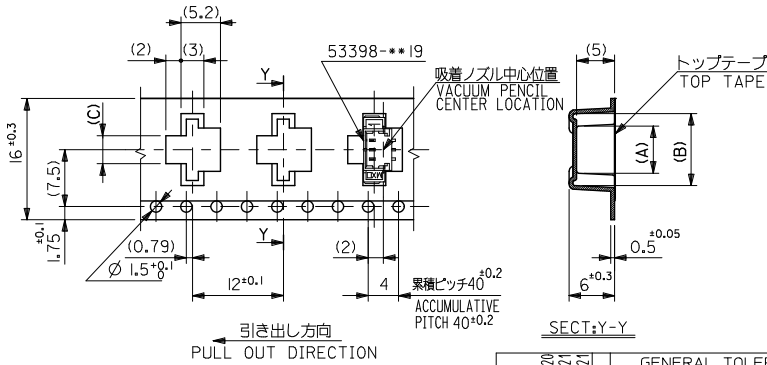


4. 53398-\*\*\*19 の詳細寸法については図面 SD-53398-032 を参照下さい。  
RE DETAILED DIMENSIONS, SEE SD-53398-032.

5. 材料 (MATERIAL)  
キャリアテープ (CARRIER TAPE): ポリプロピレン (POLYPROPYLENE)  
トップテープ (TOP TAPE): PET, PE, PEF  
リール (REEL): ポリスチレン (P.S) <リサイクル材含む>  
POLYSTYRENE (PS) <RECYCLE MATERIAL CONTAINED>

6. 本製品は 53398-\*\*\*90 の鉛フリー品である。  
THIS PRODUCT IS LEAD FREE OF 53398-\*\*\*90.

7. 本製品は乾燥剤入り、ハイバリア梱包仕様である。  
THIS PRODUCT IS HIGH BARRIER PACKAGE WITH DESICCANT.



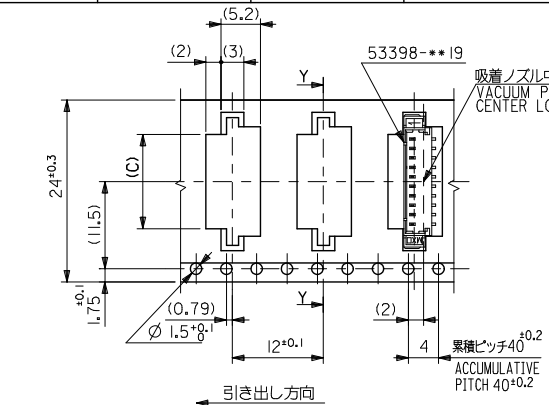
引き出し方向  
PULL OUT DIRECTION

16幅テープ  
(TAPE WIDTH: 16)

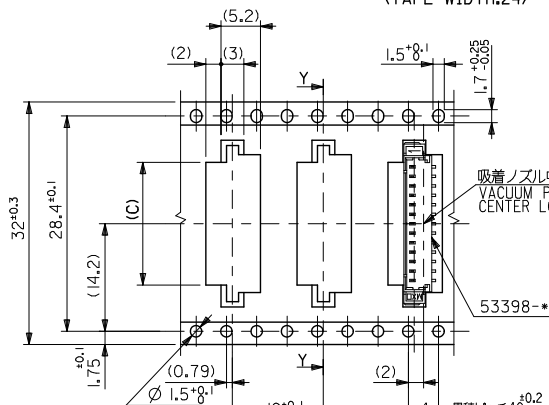
16	21.4	17.4	3.7	9.5	5.8	53398-0371	3
キャリアテープ幅 CARRIER TAPE WIDTH	E	D	2.45	8.25	4.55	53398-0271	2
	(C)	(B)	(A)	(A)		MATERIAL NO.	種数 CKT.

REVISED EC NO. J2009-2060 DRAWN BY CHIKUHAMATSUMOTO 2009/05/21 APPROVED BY MURAKAMI 2009/05/21	GENERAL TOLERANCES (UNLESS SPECIFIED)		DIMENSION STYLE MM ONLY		SCALE ---	DESIGN UNITS METRIC	THIRD ANGLE PROJECTION
	10 UNDER	± 0.2	DRAWN BY NINOMIYA	DATE '04/02/06	TITLE 1.25 W/B CONN WAFER ASSY FOR SMT. EMBSTP. PKG. -LEAD FREE-		
	10 OVER 30 UNDER	± 0.25	CHECKED BY K. TOJO	DATE '04/02/06	MOLEX INCORPORATED		
	30 OVER	± 0.3	APPROVED BY M. SASAO	DATE '04/02/06	DOCUMENT NO. SD-53398-033		
	ANGULAR	± 3 °	MATERIAL NO. SEE TABLE & SHEET 2.3		SHEET NO. 1 OF 3		
	DRAFT WHERE APPLICABLE MUST REMAIN WITHIN DIMENSIONS		THIS DRAWING CONTAINS INFORMATION THAT IS PROPRIETARY TO MOLEX INCORPORATED AND SHOULD NOT BE USED WITHOUT WRITTEN PERMISSION				

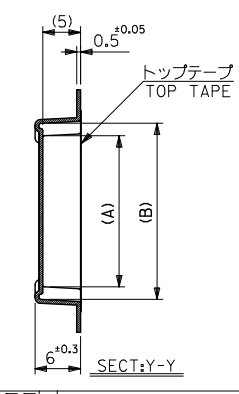
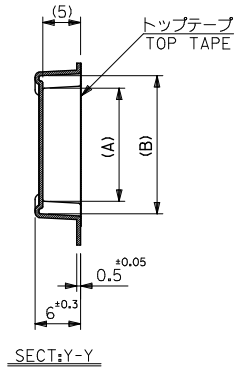
10 9 8 7 6 5 4 3 2 1



引き出し方向  
PULL OUT DIRECTION  
**24幅テープ**  
(TAPE WIDTH:24)



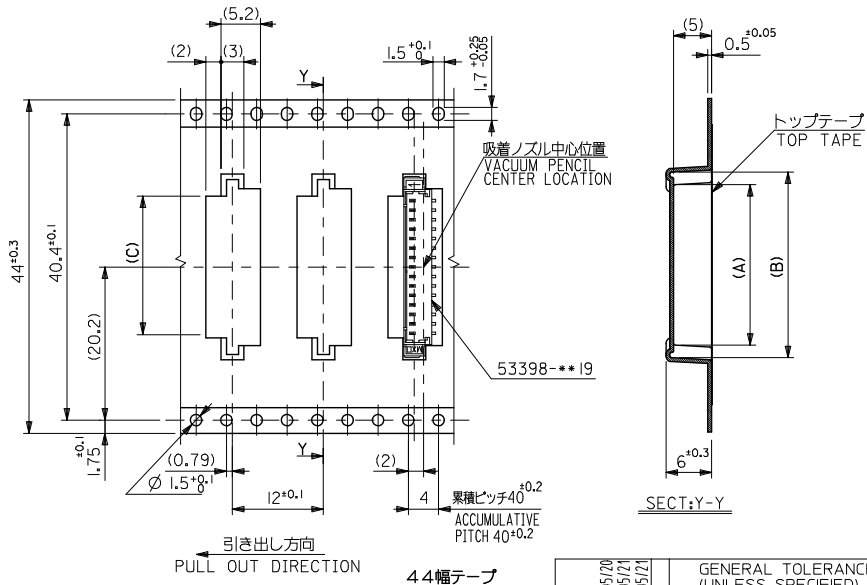
引き出し方向  
PULL OUT DIRECTION  
**32幅テープ**  
(TAPE WIDTH:32)



32	37.4	33.4	16.2	22	18.3	53398-1371	13
			14.95	20.75	17.05	-1271	12
24	29.4	25.4	13.7	19.5	15.8	-1171	11
			2.45	18.25	14.55	-1071	10
			11.2	17	13.3	-0971	9
			9.95	15.75	12.05	-0871	8
			8.7	14.5	10.8	-0771	7
			7.45	13.25	9.55	-0671	6
			6.2	12	8.3	-0571	5
			4.95	10.75	7.05	53398-0471	4
キャリアテープ幅 CARRIER TAPE WIDTH			(C)	(B)	(A)	MATERIAL NO.	極致 CKT.

REVISED EC NO. J2009-2060 DRAWN: KON CHIKUHAMATSUMOTO APPROVAL: MUKITA	2009/05/20	2009/05/21	2009/05/21	DESCRIPTION	GENERAL TOLERANCES (UNLESS SPECIFIED)	DIMENSION STYLE MM ONLY	SCALE ---	DESIGN UNITS METRIC	THIRD ANGLE PROJECTION
	10 UNDER	±0.2				DRAWN BY NINOMIYA	DATE '04/02/06	TITLE 1.25 W/B CONN WAFER ASSY FOR SMT. EMBSTP. PKG. -LEAD FREE-	
	10 OVER 30 UNDER	±0.25				CHECKED BY K. TOJO	DATE '04/02/06		
	30 OVER	±0.3				APPROVED BY M. SASAO	DATE '04/02/06		
	ANGULAR	±3 °				MATERIAL NO. SEE TABLE & SHEET 1.3	DOCUMENT NO. SD-53398-033		SHEET NO. 2 OF 3
	DRAFT WHERE APPLICABLE MUST REMAIN WITHIN DIMENSIONS					SIZE A3	THIS DRAWING CONTAINS INFORMATION THAT IS PROPRIETARY TO MOLEX INCORPORATED AND SHOULD NOT BE USED WITHOUT WRITTEN PERMISSION		

10 9 8 7 6 5 4 3 2 1



44	49.4	45.4	18.7	24.5	20.8	53398-1571	15
キャリアテープ幅 CARRIER TAPE WIDTH	E	D	(C)	(B)	(A)	53398-1471	14
						MATERIAL NO.	極致 CKT.

REVISED EC NO. J2009-2060 DRAWN BY CHIKDHATSUMOTO APPROVAL BY CHIKDHATSUMOTO	DESCRIPTION	GENERAL TOLERANCES (UNLESS SPECIFIED)	DIMENSION STYLE MM ONLY	SCALE ---	DESIGN UNITS METRIC	THIRD ANGLE PROJECTION
	10 UNDER	± 0.2	DRAWN BY NINOMIYA	DATE '04/02/06	TITLE 1.25 W/B CONN WAFER ASSY FOR SMT. EMBSTP. PKG. -LEAD FREE-	
	10 OVER 30 UNDER	± 0.25	CHECKED BY K. TOJO	DATE '04/02/06	APPROVED BY M. SASAO	
	30 OVER	± 0.3	DATE '04/02/06	MATERIAL NO. SEE TABLE & SHEET 12		DOCUMENT NO. SD-53398-033
ANGULAR ± 3 °		DRAFT WHERE APPLICABLE MUST REMAIN WITHIN DIMENSIONS	MOLEX INCORPORATED		SHEET NO. 3 OF 3	
SIZE A3			THIS DRAWING CONTAINS INFORMATION THAT IS PROPRIETARY TO MOLEX INCORPORATED AND SHOULD NOT BE USED WITHOUT WRITTEN PERMISSION			