

Excellent Integrated System Limited

Stocking Distributor

Click to view price, real time Inventory, Delivery & Lifecycle Information:

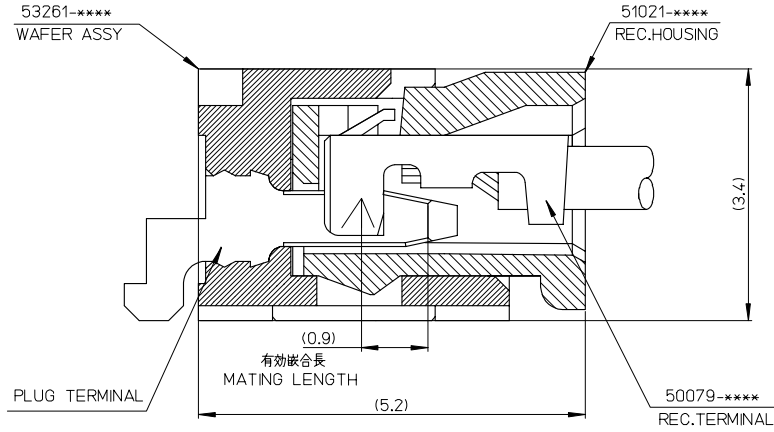
[Molex Connector Corporation](#)
[0532611271](#)

For any questions, you can email us directly:

sales@integrated-circuit.com

10 9 8 7 6 5 4 3 2 1

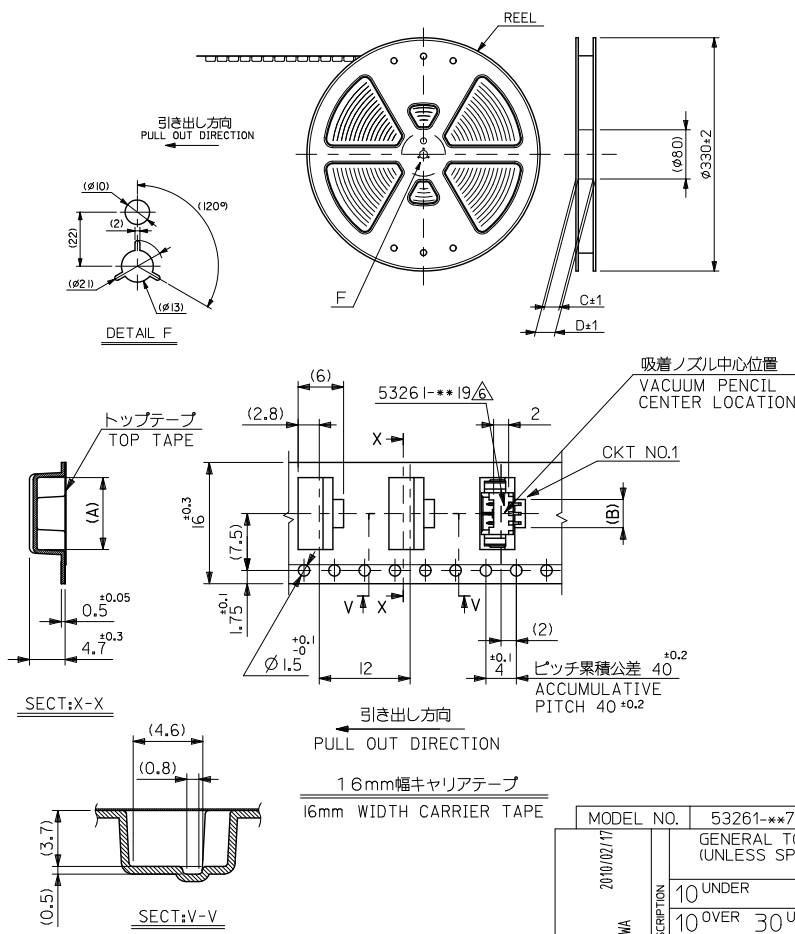
F
E
D
C
B
A



53261-****	WAFER ASSY	MODEL NO./MATERIAL NO.
50079-****	TERMINAL	
51021-****	HOUSING	

RELEASED EC NO: J2006-2426 DRAWN: A0YAGI CHKD: MAEDA APPR: NIKITA 2006/02/02 2006/02/03 2006/02/07	GENERAL TOLERANCES (UNLESS SPECIFIED)		DIMENSION STYLE MM ONLY		SCALE ---	DESIGN UNITS METRIC	THIRD ANGLE PROJECTION
	10 UNDER	±---	DRAWN BY Y. A0YAGI	DATE 2006/01/30	TITLE 1.25 W-T-O-B CONN. 51021,53261 MATING CROSS SECTION		
	10 OVER 30 UNDER	±---	CHECKED BY Y. MAEDA	DATE 2006/01/30	MOLEX INCORPORATED		
	30 OVER	±---	APPROVED BY N. UKITA	DATE 2006/01/30	MATERIAL NO. SEE CHART		
	ANGULAR ±---	°	DRAFT WHERE APPLICABLE MUST REMAIN WITHIN DIMENSIONS		DOCUMENT NO. SD-51021-002	SHEET NO. 1 OF 1	

10 9 8 7 6 5 4 3 2 1

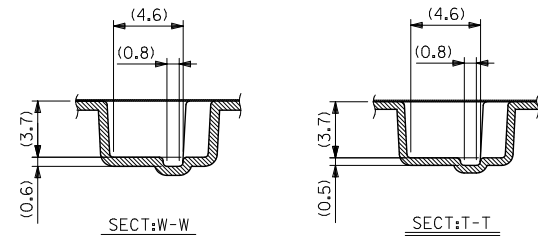
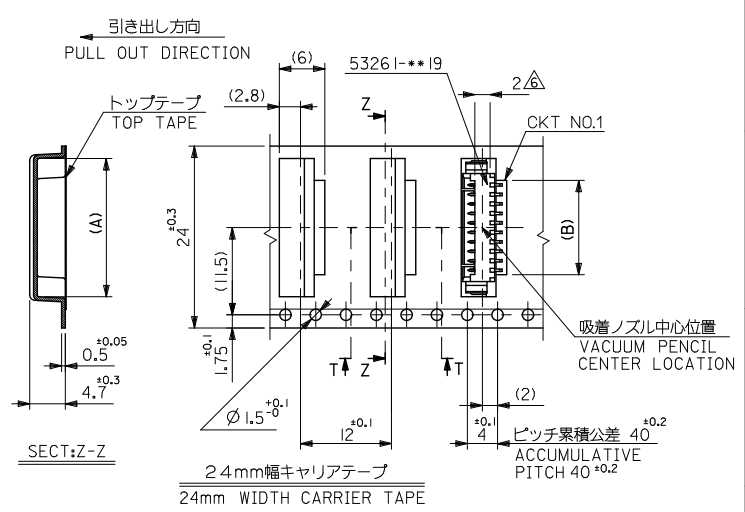
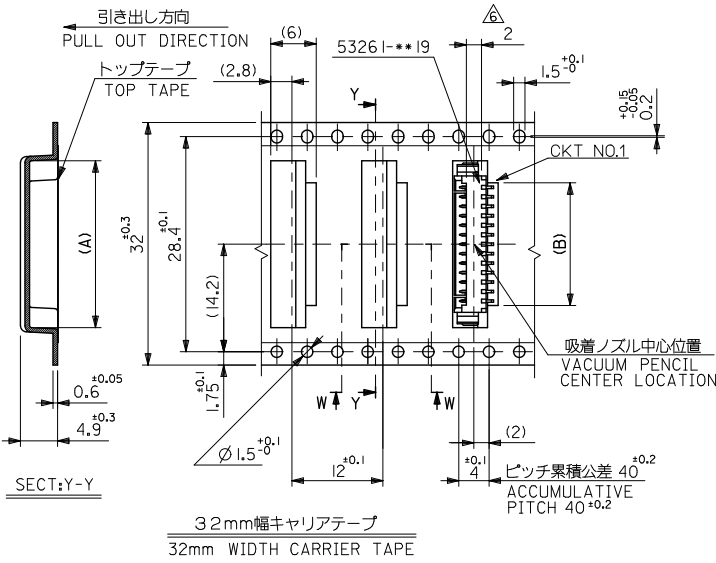


注記
NOTES

- 53261-**-19 の詳細寸法については図面 SD-53261-024 を参照下さい。
RE DETAILED DIMENSIONS, SEE SD-53261-024
 - 梱包数量: 1000個/リール
NUMBER OF CONNECTOR: 1000PCS/REEL
 - リードテープ長さ LEAD TAPE LENGTH
トップテープリーダ部 TOP TAPE LEADER PART: 175⁺²⁵
トップテープ未接着部 TOP TAPE NON-BONDED PART: 25⁺⁵
 - 材料 (MATERIAL)
キャリアテープ (CARRIER TAPE): ポリプロピレン (POLYPROPYLENE)
トップテープ (TOP TAPE): PET, PE, PEF
リール (REEL): ポリスチレン (PS) <リサイクル材含む>
POLYSTYRENE (PS) <RECYCLE MATERIAL CONTAINED>
- △ コネクタ、ハウジング平面部
CONNECTOR, HOUSING FLAT AREA
- 本製品は 53261-**-90 の鉛フリー品である。
THIS PRODUCT IS LEAD FREE OF 53261-**-90
 - ELV及びRoHS適合品
ELV AND RoHS COMPLIANT
 - 本製品は乾燥剤入り、ハイバリア梱包仕様である。
THIS PRODUCT IS HIGH BARRIER PACKAGE WITH DESICCANT.

6	21.4	17.4	3.7	9.5	53261-0371	3	
			2.45	8.25	53261-0271	2	
キャリアテープ幅 CARRIER TAPE WIDTH	D	C	B	A	EMBOSSED TAPE PACKAGE オーダー番号 ORDER NO.	種数 CKT.	
MODEL NO.	53261-**-71		DIMENSION STYLE MM ONLY		SCALE ---	DESIGN UNITS METRIC	THIRD ANGLE PROJECTION
REVISED	2010/02/17		DRAWN BY H. SHIMABUKUR		DATE '04/02/06		TITLE 1.25 W/B CONN WAFER ASSY FOR SMT EMBSTP PKG
EC NO.	D		CHECKED BY K. TOJO		DATE '04/02/06		
DESCRIPTION	10 UNDER ±0.2		APPROVED BY NUKITA		DATE 2010/02/18		MOLEX INCORPORATED
REVISION	10 OVER 30 UNDER ±0.25		MATERIAL NO.		DOCUMENT NO.		SHEET NO.
	30 OVER ±0.3		SEE TABLE & SHEET 2,3		SD-53261-023		1 OF 3
	ANGULAR ±3 °		THIS DRAWING CONTAINS INFORMATION THAT IS PROPRIETARY TO MOLEX INCORPORATED AND SHOULD NOT BE USED WITHOUT WRITTEN PERMISSION				
	DRAFT WHERE APPLICABLE MUST REMAIN WITHIN DIMENSIONS						

10 9 8 7 6 5 4 3 2 1

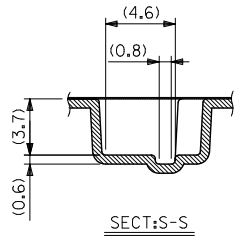
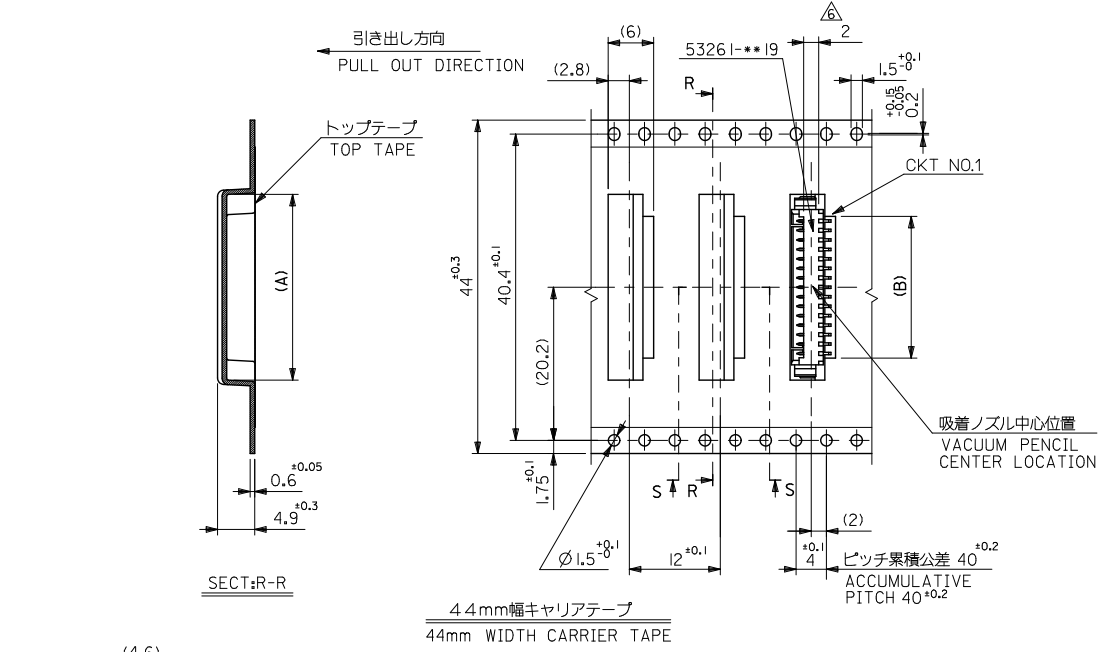


32	37.4	33.4	16.2	22	53261-1371	13
			14.95	20.75	-1271	12
24	29.4	25.4	13.7	19.5	-1171	11
			12.45	18.25	-1071	10
			11.2	17	-0971	9
			9.95	15.75	-0871	8
			8.7	14.5	-0771	7
			7.45	13.25	-0671	6
			6.2	12	-0571	5
			4.95	10.75	53261-0471	4

MODEL NO.	53261-***71	CARRIER TAPE WIDTH	D	C	B	A	EMBOSSED TAPE PACKAGE	種数	
REVISION	2010/02/17	DESCRIPTION	DIMENSION STYLE				SCALE	DESIGN UNITS	THIRD ANGLE PROJECTION
REVISED	10 UNDER	±0.2	MM ONLY				---	METRIC	◎ □
EC NO.	10 OVER	30 UNDER	GENERAL TOLERANCES (UNLESS SPECIFIED)				TITLE		
DRWN:Y.GOTO	30 OVER	±0.3	DRAWN BY DATE				1.25 W/B CONN WAFER ASSY FOR SMT EMBSTP PKG		
CHKD:K.SAKAMA	ANGULAR	±3 °	CHECKED BY DATE				MOLEX INCORPORATED		
APPR:	DRAFT WHERE APPLICABLE MUST REMAIN WITHIN DIMENSIONS		APPROVED BY DATE				SD-53261-023		
REV	SEE TABLE & SHEET 1.3		MATERIAL NO.				DOCUMENT NO.		
SIZE			THIS DRAWING CONTAINS INFORMATION THAT IS PROPRIETARY TO MOLEX INCORPORATED AND SHOULD NOT BE USED WITHOUT WRITTEN PERMISSION				SHEET NO. 2 OF 3		

10 9 8 7 6 5 4 3 2 1

F
E
D
C
B
A



MODEL NO.	53261-***71	44	49.4	45.4	18.7	24.5	53261-I-157I	15
キャリアテープ幅 CARRIER TAPE WIDTH	D	C	B	A	17.45	23.25	53261-I-147I	14
GENERAL TOLERANCES (UNLESS SPECIFIED)	DIMENSION STYLE MM ONLY		SCALE ---	DESIGN UNITS METRIC	THIRD ANGLE PROJECTION			
10 UNDER ±0.2	DRAWN BY H. SHIMABUKUR		DATE '04/02/06	TITLE 1.25 W/B CONN WAFER ASSY FOR SMT EMBSTP PKG				
10 OVER 30 UNDER ±0.25	CHECKED BY K. TOJO		DATE '04/02/06	ORDER NO. 53261-I-147I				
30 OVER ±0.3	APPROVED BY NUKITA		DATE 2010/02/18	MOLEX INCORPORATED				
ANGULAR ±3 °	MATERIAL NO.		DOCUMENT NO.	SHEET NO.				
DRAFT WHERE APPLICABLE MUST REMAIN WITHIN DIMENSIONS	SEE TABLE & SHEET 12		SD-53261-023	3 OF 3				
REVISED	THIS DRAWING CONTAINS INFORMATION THAT IS PROPRIETARY TO MOLEX INCORPORATED AND SHOULD NOT BE USED WITHOUT WRITTEN PERMISSION							

