

## Excellent Integrated System Limited

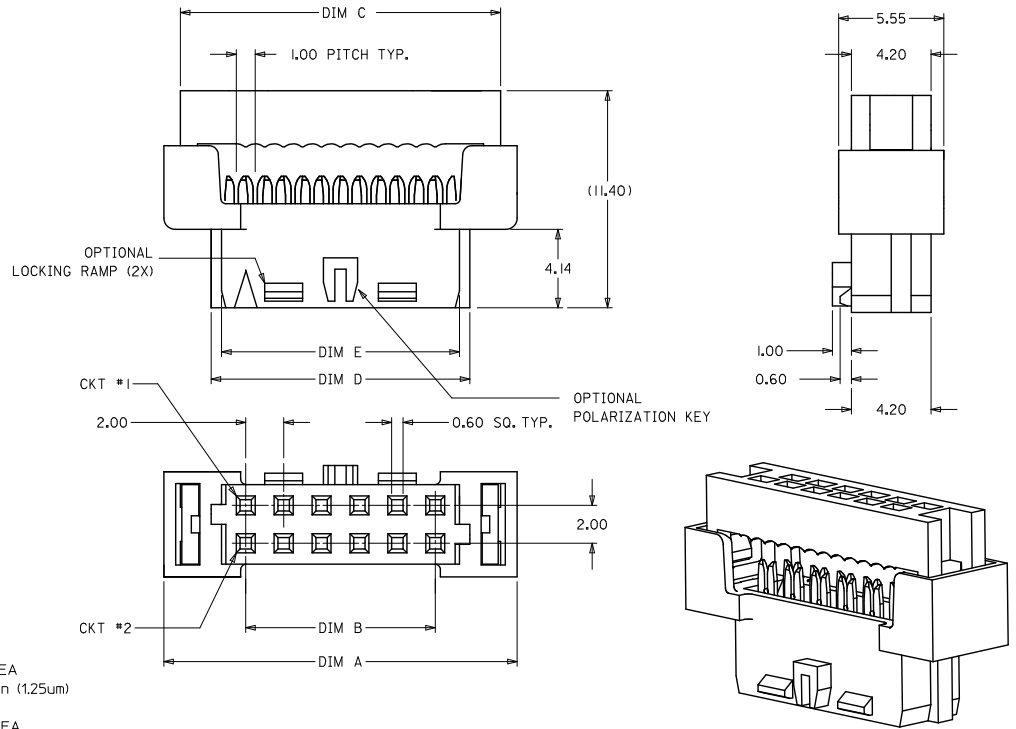
Stocking Distributor

Click to view price, real time Inventory, Delivery & Lifecycle Information:

[Molex Connector Corporation](#)  
[87568-1663](#)

For any questions, you can email us directly:

[sales@integrated-circuit.com](mailto:sales@integrated-circuit.com)

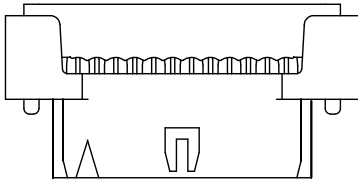


1. MATERIALS:
  - HOUSING - PBT, GLASS FILLED UL94V-0 BLACK
  - TERMINAL - COPPER ALLOY
2. FINISHES
  - PLATING 3 - 15uin (0.38um) SELECTIVE GOLD IN CONTACT AREA AND 75uin (1.88um) TIN IN IDT AREA OVER 50uin (1.25um) NICKEL OVERALL.
  - PLATING 4 - 30uin (0.76um) SELECTIVE GOLD IN CONTACT AREA AND 75uin (1.88um) TIN IN IDT AREA OVER 50uin (1.25um) NICKEL OVERALL.
  - PLATING 5 - 2uin (0.05um) SELECTIVE GOLD IN CONTACT AREA AND 75uin (1.88um) TIN IN IDT AREA OVER 50uin (1.25um) NICKEL OVERALL.

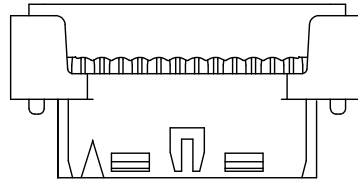
3. PRODUCT SPEC PS-87568-004 APPLIES
4. FOR ILLUSTRATION PURPOSES, I2 CKT IS SHOWN
5. PART MATES WITH ALL MILLIGRID HEADERS WITH MATING LENGTH BETWEEN 2.50mm AND 4.20mm
6. PART IS DESIGNED FOR 1.00mm PITCH FLAT CABLE, 7 STRANDS, AWG #28, UL2651 AND UL2678
7. ALL OTHER CIRCUIT SIZES, CONTACT FACTORY.
8. STRAIN RELIEF TO BE PURCHASED SEPERATELY, REFER TO SD-87569-008

ADD AU FLASH OPTION EC NO. S2011-1004 DRAWN BY: 2011/05/13 CHYKATSEE 2011/06/14 APPR: MLONG 2011/06/14 REV H2	QUALITY SYMBOLS $\nabla=0$ $\nabla=0$ $\nabla=0$	GENERAL TOLERANCES (UNLESS SPECIFIED) <table border="1"> <thead> <tr> <th></th> <th>mm</th> <th>INCH</th> </tr> </thead> <tbody> <tr> <td>4 PLACES</td> <td>±---</td> <td>±---</td> </tr> <tr> <td>3 PLACES</td> <td>±---</td> <td>±---</td> </tr> <tr> <td>2 PLACES</td> <td>±0.15</td> <td>±---</td> </tr> <tr> <td>1 PLACE</td> <td>±---</td> <td>±---</td> </tr> <tr> <td colspan="3">ANGULAR ± 3°</td> </tr> </tbody> </table>		mm	INCH	4 PLACES	±---	±---	3 PLACES	±---	±---	2 PLACES	±0.15	±---	1 PLACE	±---	±---	ANGULAR ± 3°			DIMENSION STYLE MM ONLY	SCALE NTS	DESIGN UNITS METRIC	THIRD ANGLE PROJECTION
		mm	INCH																					
	4 PLACES	±---	±---																					
	3 PLACES	±---	±---																					
2 PLACES	±0.15	±---																						
1 PLACE	±---	±---																						
ANGULAR ± 3°																								
		DRAWN BY: AGARWAL DATE: 1997/08/05 CHECKED BY: SQUEK DATE: 1997/09/03 APPROVED BY: MLONG DATE: 2009/11/13	TITLE MGRID 2MM DUAL ROW IDT RECEPTACLE	MOLEX INCORPORATED																				
		DRAFT WHERE APPLICABLE MUST REMAIN WITHIN DIMENSIONS	MATERIAL NO. SEE TABLE	DOCUMENT NO. SD-87568-003	SHEET NO. 1 OF 3																			
			THIS DRAWING CONTAINS INFORMATION THAT IS PROPRIETARY TO MOLEX INCORPORATED AND SHOULD NOT BE USED WITHOUT WRITTEN PERMISSION																					

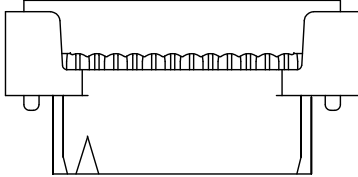
ENGINEERING NUMBER	CKT. SIZE	A	B	C	D	E
87568-10**	10	16.65	8.00	14.90	11.65	10.55
87568-12**	12	18.65	10.00	16.90	13.65	12.55
87568-14**	14	20.65	12.00	18.90	15.65	14.55
87568-16**	16	22.65	14.00	20.90	17.65	16.55
87568-20**	20	26.65	18.00	24.90	21.65	20.55
87568-22**	22	28.65	20.00	26.90	23.65	22.55
87568-24**	24	30.65	22.00	28.90	25.65	24.55
87568-26**	26	32.65	24.00	30.90	27.65	26.55
87568-30**	30	36.65	28.00	34.90	31.65	30.55
87568-32**	32	38.65	30.00	36.90	33.65	32.55
87568-34**	34	40.65	32.00	38.90	35.65	34.55
87568-36**	36	42.65	34.00	40.90	37.65	36.55
87568-40**	40	46.65	38.00	44.90	41.65	40.55
87568-44**	44	50.65	42.00	48.90	45.65	44.55
87568-50**	50	56.65	48.00	54.90	51.65	50.55



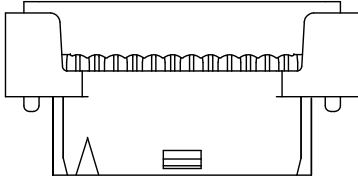
87568-\*\*\*4\*  
POLARIZATION ONLY  
(APPLICABLE FOR 14 TO 50 CKT)



87568-\*\*\*9\*  
POLARIZATION AND RAMP LOCKING  
(APPLICABLE FOR 14 TO 50 CKT)



87568-\*\*\*6\*  
NO POLARIZATION/RAMP FEATURE  
(APPLICABLE FOR 10 TO 50 CKT)



87568-\*\*\*7\*  
SINGLE RAMP LOCKING ONLY  
(APPLICABLE FOR 10 TO 12 CKT)

87568 - \* \* \* \* \*  
CKT. SIZE      PLATING OPTION (SEE NOTE 2)  
   POLARIZATION KEY & LOCKING RAMP OPTION

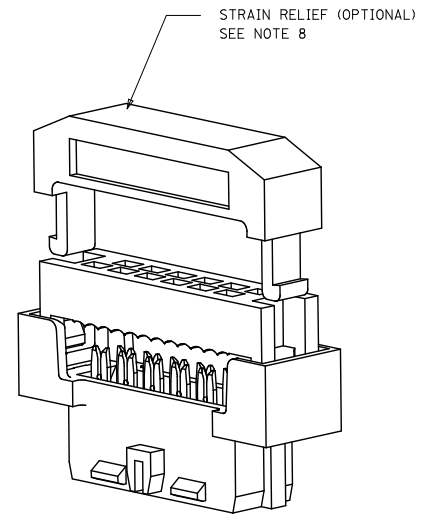
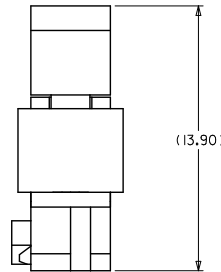
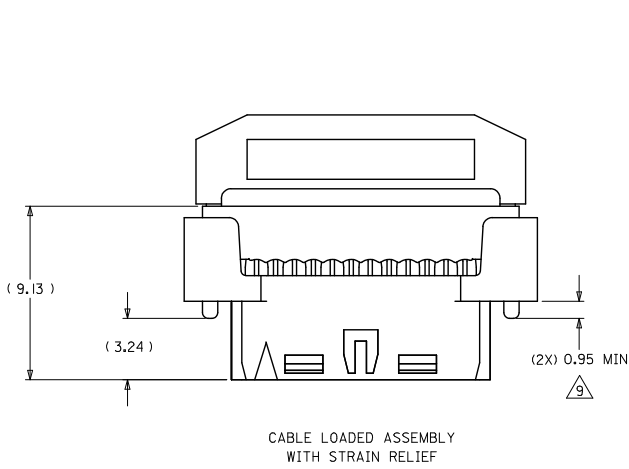
- 4 - WITH POLARIZATION ONLY FOR 14 - 50 CKT
- 6 - WITHOUT POLARIZATION AND RAMP LOCKING
- 7 - WITH SINGLE RAMP LOCKING ONLY FOR 10 & 12 CKT
- 9 - WITH POLARIZATION AND RAMP LOCKING FOR 14 - 50 CKT

10-12 CIRCUIT SIZE HAS ONLY ONE RAMP FOR LOCKING (OPTIONAL)

14-50 CIRCUIT SIZE HAS BOTH POLARIZATION AND RAMP LOCKING (OPTIONAL)

<b>ADD AU FLASH OPTION</b> EC NO: S2011-1004 DRAWN BY: DRWNSKANG CHKD/ATSEE APPR:MLONG 2011/05/31 2011/06/14 2011/06/14	QUALITY SYMBOLS	GENERAL TOLERANCES (UNLESS SPECIFIED)	DIMENSION STYLE	SCALE	DESIGN UNITS	THIRD ANGLE PROJECTION																		
	$\sqrt{\text{V}}=0$ $\sqrt{\text{V}}=0$ $\sqrt{\text{V}}=0$	<table border="1"> <thead> <tr> <th></th> <th>mm</th> <th>INCH</th> </tr> </thead> <tbody> <tr> <td>4 PLACES</td> <td>± ---</td> <td>± ---</td> </tr> <tr> <td>3 PLACES</td> <td>± ---</td> <td>± ---</td> </tr> <tr> <td>2 PLACES</td> <td>± 0.15</td> <td>± ---</td> </tr> <tr> <td>1 PLACE</td> <td>± ---</td> <td>± ---</td> </tr> <tr> <td colspan="3">ANGULAR ± 3°</td> </tr> </tbody> </table>		mm	INCH	4 PLACES	± ---	± ---	3 PLACES	± ---	± ---	2 PLACES	± 0.15	± ---	1 PLACE	± ---	± ---	ANGULAR ± 3°			MM ONLY	NTS	METRIC	
		mm	INCH																					
	4 PLACES	± ---	± ---																					
3 PLACES	± ---	± ---																						
2 PLACES	± 0.15	± ---																						
1 PLACE	± ---	± ---																						
ANGULAR ± 3°																								
DRAWN BY: AGARWAL CHECKED BY: SQUEK APPROVED BY: MLONG DATE: 1997/08/05 DATE: 1997/09/03 DATE: 2009/11/13	DRAFT WHERE APPLICABLE MUST REMAIN WITHIN DIMENSIONS	MATERIAL NO. <b>SEE TABLE</b>	TITLE MGRID 2MM DUAL ROW IDT RECEPTACLE	MOLEX INCORPORATED	DOCUMENT NO. SD-87568-003	SHEET NO. 2 OF 3																		
H2 REV			THIS DRAWING CONTAINS INFORMATION THAT IS PROPRIETARY TO MOLEX INCORPORATED AND SHOULD NOT BE USED WITHOUT WRITTEN PERMISSION																					

10 9 8 7 6 5 4 3 2 1



3D VIEW  
(12 CKT SHOWN FOR ILLUSTRATION ONLY)

NOTES

△ THIS DIMENSION IS TO ENSURE GOOD CABLE TERMINATION.

ADD AU FLASH OPTION EC NO: S2011-1004 DRAWN BY: DRWNSKANG CHKD BY: CHKBDATSEE APPR: MLONG	2011/05/31	QUALITY SYMBOLS √=0 √=0 √=0	GENERAL TOLERANCES (UNLESS SPECIFIED)		DIMENSION STYLE MM ONLY		SCALE NTS	DESIGN UNITS METRIC	THIRD ANGLE PROJECTION		
	2011/06/14		4 PLACES ± --- ± ---	mm	INCH	DRAWN BY AGARWAL	DATE 1997/08/05	TITLE MGRID	MOLEX INCORPORATED		
	2011/06/14		3 PLACES ± --- ± ---	DRAFT WHERE APPLICABLE MUST REMAIN WITHIN DIMENSIONS		CHECKED BY SQUEK	DATE 1997/09/03	2MM DUAL ROW IDT RECEPTACLE			
	REV H2		DESCRIPTION	2 PLACES ± 0.15 ± ---	MATERIAL NO. SEE TABLE		APPROVED BY MLONG	DATE 2009/11/13	DOCUMENT NO. SD-87568-003	SHEET NO. 3 OF 3	

9 8 7 6 5 4 3 2 1