

Excellent Integrated System Limited

Stocking Distributor

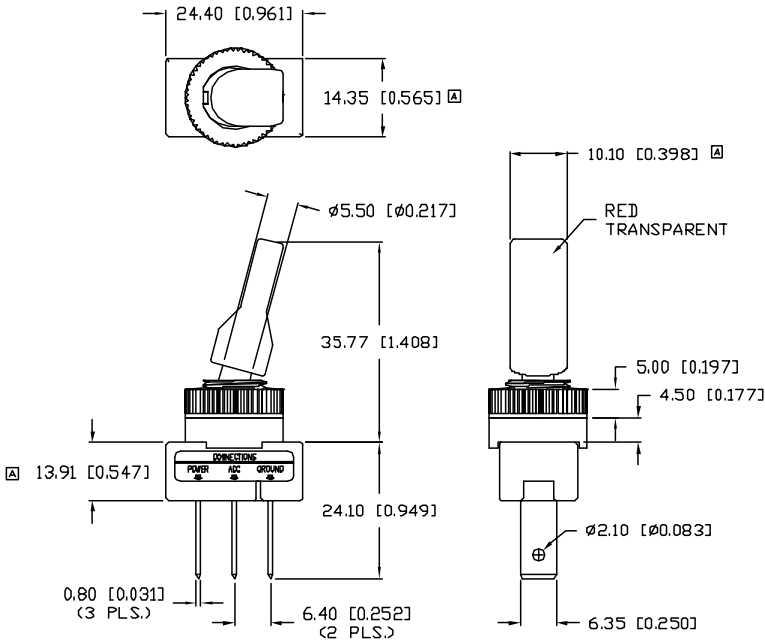
Click to view price, real time Inventory, Delivery & Lifecycle Information:

[Lumex, Inc.](#)
[CLS-TC11A12252R](#)

For any questions, you can email us directly:

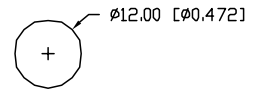
sales@integrated-circuit.com

| | | |
|-----------------|-------------------------------------|----------|
| PART NUMBER | | REV. |
| CLS-TC11A12252R | | B |
| REV. | E.C.N. NUMBER AND REVISION COMMENTS | DATE |
| A | E.C.N. #11267. | 8.18.05 |
| B | E.C.N. #11148. | 12.10.06 |

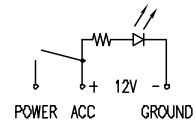


| CHARACTERISTICS | |
|-------------------|--------------|
| RATING | 20A AT 12VDC |
| LED COLOR | RED |
| CIRCUIT OPERATION | SPST |
| NO. OF PINS | 3 |
| SWITCH OPERATION | ON-OFF |

PANEL CUTOUT



INTERNAL CIRCUIT



*UNLESS OTHERWISE SPECIFIED TOLERANCES PER DECIMAL PRECISION ARE: X=±1 (±0.039), XX=±0.5 (±0.020), XXX=±0.25 (±0.010), XXXX=±0.127 (±0.005). LEAD SIZE=±0.05 (±0.002), LEAD LENGTH=±0.75 (±0.030). MIN.=+DECIMAL PRECISION -0.00 MAX.=+0.00 -DECIMAL PRECISION

| | | | |
|--|--------------------------------|---|--|
| REV. B | PART NUMBER CLS-TC11A12252R | <p>CONFIDENTIAL INFORMATION THE INFORMATION CONTAINED IN THIS DOCUMENT IS THE PROPERTY OF LUMEX INC. EXCEPT AS SPECIFICALLY AUTHORIZED IN WRITING BY LUMEX INC., THE HOLDER OF THIS DOCUMENT SHALL KEEP ALL INFORMATION CONTAINED HEREIN CONFIDENTIAL AND SHALL PROTECT SAME IN WHOLE OR IN PART FROM DISCLOSURE AND DISSEMINATION TO ALL THIRD PARTIES.</p> <p>RELIABILITY NOTE OUR MANY YEARS OF EXPERIENCE DATA ACCUMULATION INDICATE THAT SOLDER HEAT IS A MAJOR CAUSE OF EARLY AND FUTURE FAILURE. PLEASE PAY ATTENTION TO YOUR SOLDERING PROCESS.</p> | <p>LUMEX 290 E. HELEN ROAD PALATINE, IL 60067-6976 PHONE: +1.847.359.2790 US WEB: www.lumex.com TW WEB: www.lumex.com.tw</p> |
| ILLUMINATED TOGGLE SWITCH, 20A AT 12V RATING, RED LED, RED TRANSPARENT LENS (TOGGLE). | | DRAWN BY: jc CHECKED BY: APPROVED BY: | DATE: 12.10.06 PAGE: 1 OF 1 SCALE: N/A |