

Excellent Integrated System Limited

Stocking Distributor

Click to view price, real time Inventory, Delivery & Lifecycle Information:

[Panduit](#)
[GTH](#)

For any questions, you can email us directly:

sales@integrated-circuit.com



THIS COPY IS PROVIDED ON A RESTRICTED BASIS AND IS NOT TO BE USED IN ANY WAY DETRIMENTAL TO THE INTERESTS OF PANDUIT CORP.

PANDUIT TOOL NO.	INSTALLS * THE FOLLOWING CABLE TIE CROSS-SECTIONS **	WEIGHT/PC	
		OZ	GRAMS
GTH	S,HS,LH,H	12.0	340.2

(K)

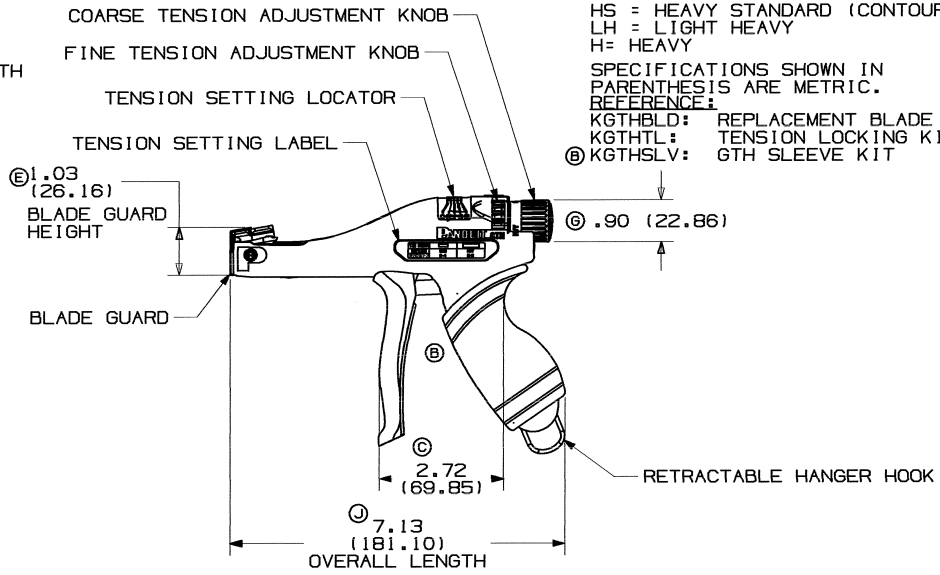
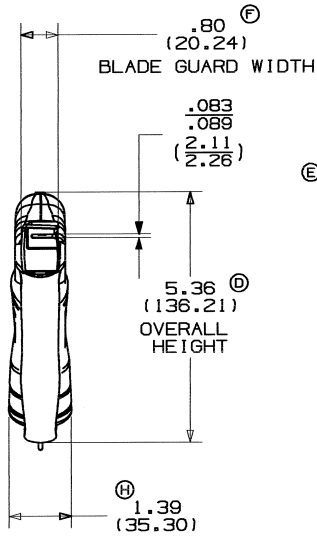
NOTES, UNLESS OTHERWISE SPECIFIED:

* THIS TOOL TIGHTENS CABLE TIES AND CUTS OFF EXCESS PORTION WHEN PRESET TENSION IS ATTAINED.

** CABLE TIE CROSS-SECTION CODE:
 S = STANDARD
 HS = HEAVY STANDARD (CONTOUR-TY)
 LH = LIGHT HEAVY
 H = HEAVY

SPECIFICATIONS SHOWN IN PARENTHESIS ARE METRIC.

REFERENCE:
 KGTHBLD: REPLACEMENT BLADE KIT
 KGTHTL: TENSION LOCKING KIT
 KGTHSLV: GTH SLEEVE KIT



CD FILENAME/LAYER R24651BA_DC_WH24651B01_03A

REV	DATE	BY	CHK	DESCRIPTION	EDN	R	CUST	SUP
03	07-20-08	B.J.P.U.		CORRECTED TOOL WEIGHT WITH SLEEVE (K)	4201	--		
--	04-21-08	P.W.G.		CORRECTED DIM'S (C) - (G); UPDATE DIM'S (H), (J)		--		
02	04-21-08	P.W.G.	B.J.P.U.	ADDED (E) DAMPENING SLEEVE & KIT P/N KGTHSLV:	4201	--	LAH	

PANDUIT CORP. TINLEY PARK, ILLINOIS

CD, GTH

UNLESS OTHERWISE SPECIFIED, DIMENSIONAL TOLERANCES ARE:
 (.XX) ± .005
 (.XXX) ± .002
 ANGLES ± .05

UNLESS OTHERWISE SPECIFIED, ALL DIMENSIONS ARE GIVEN IN INCHES, THIRD ANGLE PROJECTION

SCALE 1/2" = 1"

DATE 4-21-08

CD# B.J.P.U.

ORDER NO. WH24651B01

CD B

SIZE