

## Excellent Integrated System Limited

Stocking Distributor

Click to view price, real time Inventory, Delivery & Lifecycle Information:

[Energizer Battery Company](#)  
[A23C](#)

For any questions, you can email us directly:

[sales@integrated-circuit.com](mailto:sales@integrated-circuit.com)

**PRODUCT DATASHEET**



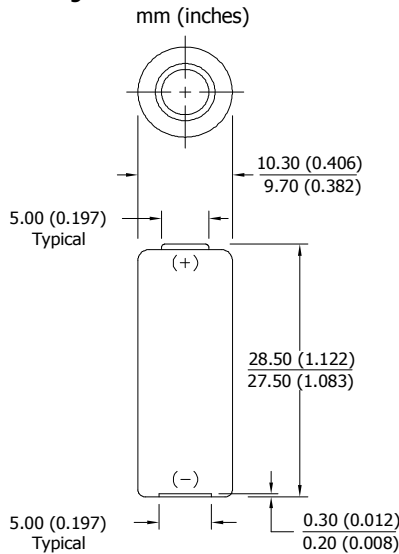
1-800-383-7323 USA/CAN  
www.energizer.com

**ENERGIZER A23**

**Miniature Alkaline**



**Industry Standard Dimensions**



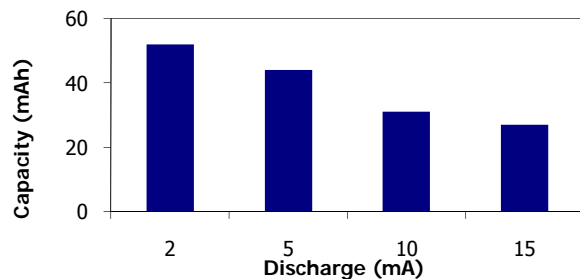
Designed for electronic applications which may require high rate pulses.

**Specifications**

- Classification:** Miniature Alkaline
- Chemical System:** Manganese Dioxide (MnO<sub>2</sub>)
- Designation:** ANSI-1181A
- Nominal Voltage:** 12 volts
- Typical Capacity:** 55 mAh to 6.0 Volts (rated at 20K ohms at 21°C)
- Typical Weight:** 8.0 grams (0.3 oz.)
- Typical Volume:** 1.1 cubic centimeters (0.07 cubic inch)
- Jacket:** Plastic Label
- Terminal:** Flat Contact

**Milliamp-Hours Capacity**

Continuous discharge to 6.0 volts at 21°C



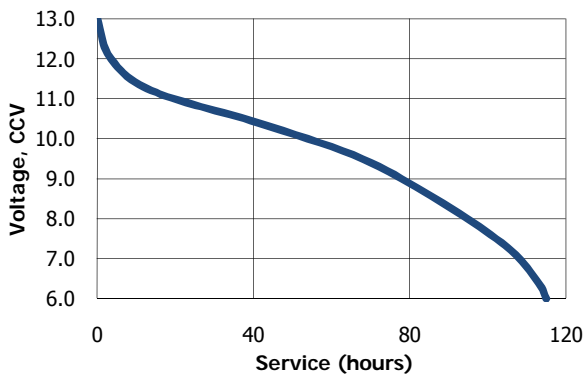
**Typical Discharge Durations**

Continuous discharge at 21°C

Schedule (time)	Drain (mA)	Load (ohms)	Cutoff Voltage		
			8.8V (hours)	7.2V (hours)	6.0V (hours)
Continuous	0.48	20K	81	105	115

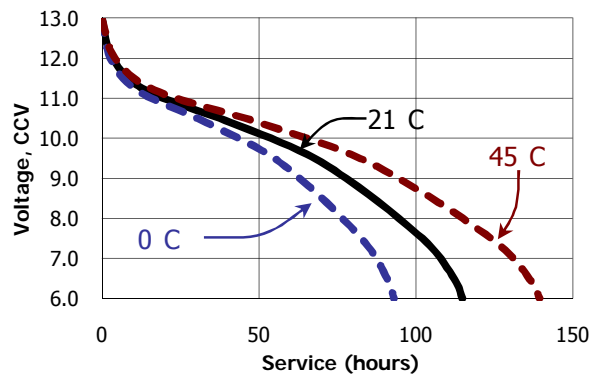
**Discharge Characteristics**

Schedule: Continuous  
Typical Load: 20 KΩ (21°C)



**Temperature Characteristics**

Schedule: Continuous  
Typical Load: 20 KΩ



**Important Notice**

This datasheet contains typical information specific to products manufactured at the time of its publication.  
©Energizer Holdings, Inc. - Contents herein do not constitute a warranty.