

Excellent Integrated System Limited

Stocking Distributor

Click to view price, real time Inventory, Delivery & Lifecycle Information:

[Energizer Battery Company](#)
[CR2025VP](#)

For any questions, you can email us directly:

sales@integrated-circuit.com

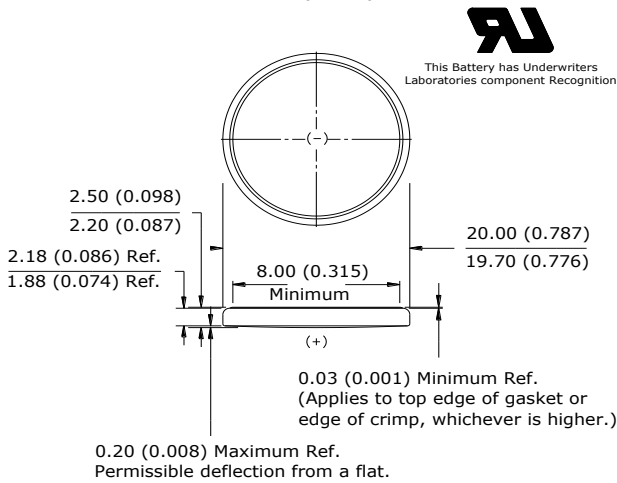
PRODUCT DATASHEET

ENERGIZER CR2025

Lithium Coin



Industry Standard Dimensions
mm (inches)



Classification:	"Lithium Coin"
Chemical System:	Lithium / Manganese Dioxide (Li/MnO ₂)
Designation:	ANSI / NEDA-5003LC, IEC-CR2025
Nominal Voltage:	3.0 Volts
Typical Capacity:	163 mAh (to 2.0 volts) (Rated at 15K ohms at 21°C)
Typical Weight:	2.6 grams (0.08 oz.)
Typical Volume:	0.8 cubic centimeters (0.05 cubic inch)
Max Rev Charge:	1 microampere
Energy Density:	176 milliwatt hr/g, 616 milliwatt hr/cc
Typical Li Content:	0.078 grams (0.0028 oz.)
UL Recognized:	MH29980
Operating Temp:	-30C to 60C
Self Discharge:	~1% / year

Specifications

Safety:



- (1) KEEP OUT OF REACH OF CHILDREN.** Swallowing may lead to serious injury or death in as little as 2 hours due to chemical burns and potential perforation of the esophagus. **Immediately see doctor; have doctor phone (202) 625-3333.**
- (2) Battery compartment design.** To prevent children from removing batteries, battery compartments should be designed with one of the following methods: a) a tool such as screwdriver or coin is required to open battery compartment or b) the battery compartment door/cover requires the application of a minimum of two independent and simultaneous movements of the securing mechanism to open by hand. Screws should remain captive with the battery door or cover.

Simulated Application test
Typical Performance at 21°C (70°F)

Schedule:	Typical Drains: at 2.9V (mA)	Load (ohms)	Cutoff 2.0V (hours)
Continuous	0.193	15,000	845

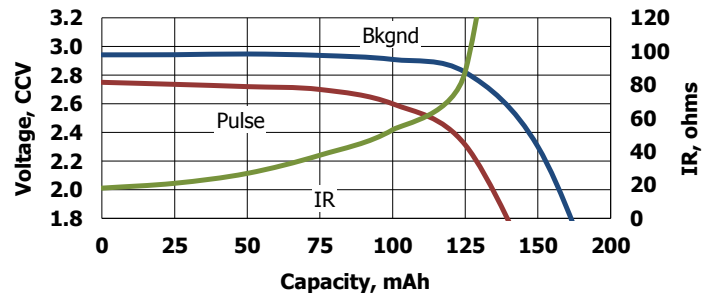
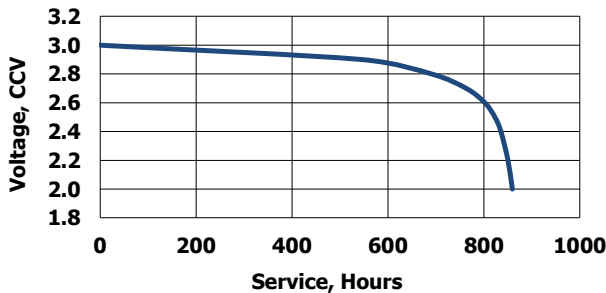
Internal Resistance Characteristics
Pulse Test at 21°C (70°F)

Bkgnd Drain: Continuous
15K ohms
0.193 mA @2.9V

Pulse Drain: 2 seconds X 12 times/day
400 ohms
6.8 mA @2.7V

Typical Discharge Characteristics

Load: 15K ohms - Continuous
Typical Drain @ 2.9V: 0.193 mA



Important Notice

This datasheet contains typical information specific to products manufactured at the time of its publication.
©Energizer Holdings, Inc. - Contents herein do not constitute a warranty.