

Excellent Integrated System Limited

Stocking Distributor

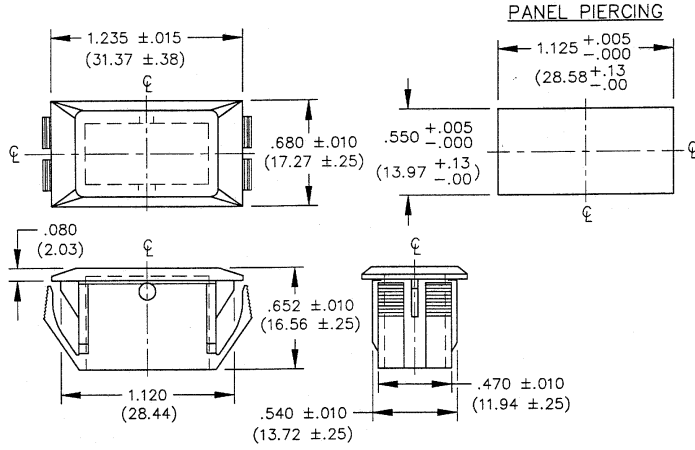
Click to view price, real time Inventory, Delivery & Lifecycle Information:

[CW Industries](#)
[GIL-2000-2010](#)

For any questions, you can email us directly:
sales@integrated-circuit.com

DIMENSIONS IN INCHES (MILLIMETERS)
 DO NOT SCALE DRAWING

Dwg. No.
 GIL-2000-2010



FORM-B4

REVISIONS	0
RELEASED:	9/15/2000
DCW	AUG 17 2000

CW INDUSTRIES
 Southampton, Pa. 18966

PDF File Made

TOLERANCES UNLESS OTHERWISE SPECIFIED	
2 Place Decimal ±.010	METRIC
3 Place Decimal ±.005	1 Place Dec. ±.25mm
Angles ±1°	2 Place Dec. ±.13mm

Made for: CW IND.
 Drawn by: DGW 8-16-2000
 Checked by: G. Guid 8-16-00
 Approved: [Signature] 8-16-00

Title:	UNIBODY HOUSING BLANK ASSEMBLY
Division:	SWITCH
Dwg. No.	GIL-2000-2010