

Excellent Integrated System Limited

Stocking Distributor

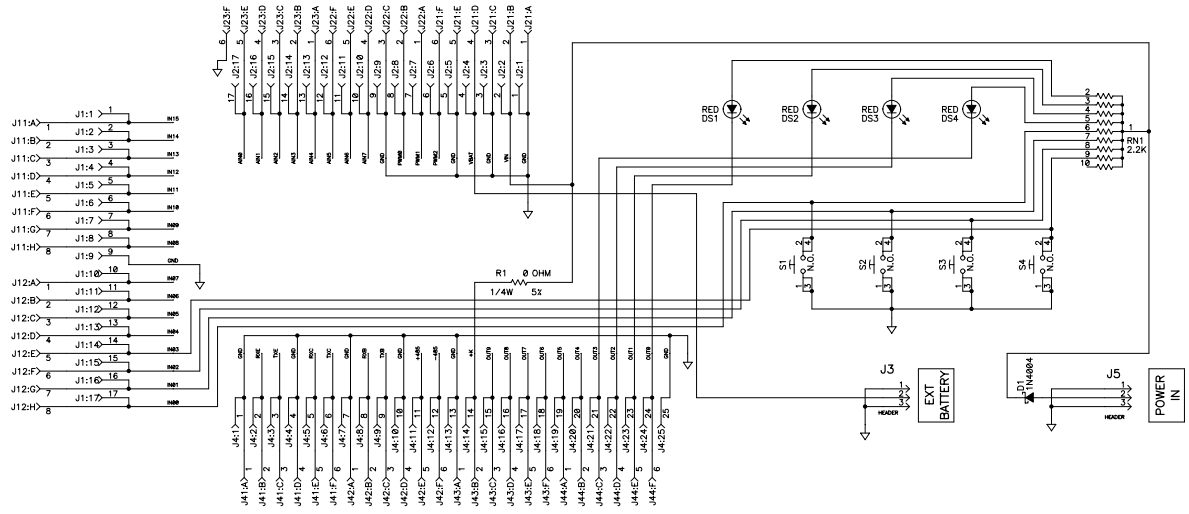
Click to view price, real time Inventory, Delivery & Lifecycle Information:

[Digi International](#)
[101-0545](#)

For any questions, you can email us directly:

sales@integrated-circuit.com

REVISION HISTORY			REVISION APPROVAL			
REV	ECCO	DESCRIPTION	PROJECT ENGINEER	APPROVAL DATE	DOCUMENT CONTROL	APPROVAL DATE
A	E11999	INITIAL RELEASE	JF	7/11/02	KIS	7/11/02



APPEND THE FOLLOWING DOCUMENTS WHEN CHANGING THIS DOCUMENT:		DRAWING CONTENT:		TITLE	
		DRAWN BY: (INITIAL RELEASE) J. FENG	15MAR02	LP3500 LOW POWER CONTROLLER PROTOTYPING BOARD	
		REVISED BY:		2900 SPAFFORD ST. DAVIS, CA 95616 530-757-4616	
		APPROVALS: INITIAL RELEASE		PROJECT ENGINEER:	
		J.FENG	7/11/02	SIZE	DWG NO.
		R.MATTHEWS	7/11/02	B	090-0151
		SIGNATURES	DATE	SCALE	NONE
				RELEASE DATE	SHEET 1 OF 1