

Excellent Integrated System Limited

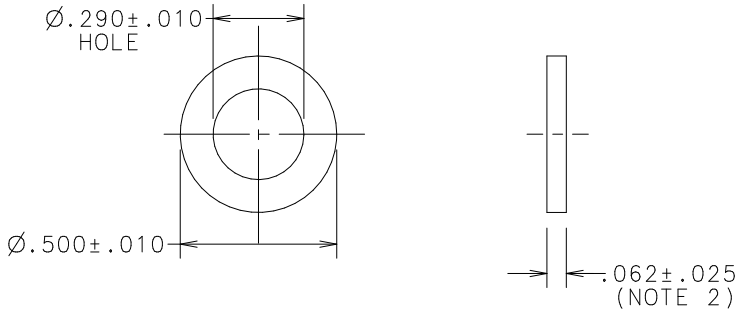
Stocking Distributor

Click to view price, real time Inventory, Delivery & Lifecycle Information:

[Littelfuse](#)
[901-124](#)

For any questions, you can email us directly:

sales@integrated-circuit.com



NOTE :

1. MATERIAL: MEDIUM DENSITY, CLOSED CELLULAR NEOPRENE SPONGE, APPROX. 50-70 DUROMETER. BLACK COLOR
2. SURFACES INDICATED BY THIS DIMENSION TO HAVE NO SKIN (BOTH SIDES) AND MAY HAVE A WAFFLED FINISH OF MIN DEPTH.

SOURCE: SEAL RING'S
OR ENG'R APPROVED EQUAL

NO	COMPONENT NO	DESCRIPTION	QTY/M	U/M
BILL OF MATERIAL				
UNLESS OTHERWISE SPECIFIED, DIMENSIONS DO NOT INCLUDE PLATING.				
○	DENOTES CRITICAL CHARACTERISTICS.			
CPK	DENOTES CPK DIMENSIONS, -MINIMUM CPK VALUE 1.33			
ST	DENOTES A CHARACTERISTIC THAT PROVIDES AN INDICATION OF PROCESS PERFORMANCE. PROCEDURE FOR MEASUREMENT AND TRACKING TO BE DEFINED IN LITTELFUSE INSPECTION INSTRUCTIONS.			
CP	DENOTES CP DIMENSIONS, -MINIMUM CP VALUE MUST BE WITHIN THE DIMENSIONAL LIMITATIONS SHOWN ON DRAWING AND INITIALLY LOCATED TO ALLOW FOR MAXIMUM TOOL LIFE.			
COPIES TO		MATL SPEC	FINISH	
1	9 18	DRW KAM	DATE 4/8/98	SCALE 4:1
2	10 19			
3	12 20	CHK	DATE	SUPER DRW
4	13 21			
5	14 23	APPD	DATE	RAW STK WT
6	15 33	TOLERANCE UNLESS OTHERWISE SPECIFIED		
7	16 43	TWO PLACE DEC ±.01 FRACTION		
8	17 53	THREE PLACE DEC ±.005 ANGULAR		
TITLE WASHER RUBBER				
LITTELFUSE		REVISION	DRWG. NO.	
DES PLAINES, ILLINOIS 60016			-901-124	

G		F	LTR	REVISION	CHK	APD	
39313D - CHG. TITLE		39212C - REVISED & REDRAWN ON NEW FORMAT 6/12/98 JMB					
7/27/98							
BJJ							

CAD GENERATED DRAWING - NO PENCIL CHANGES ALLOWED

