

Excellent Integrated System Limited

Stocking Distributor

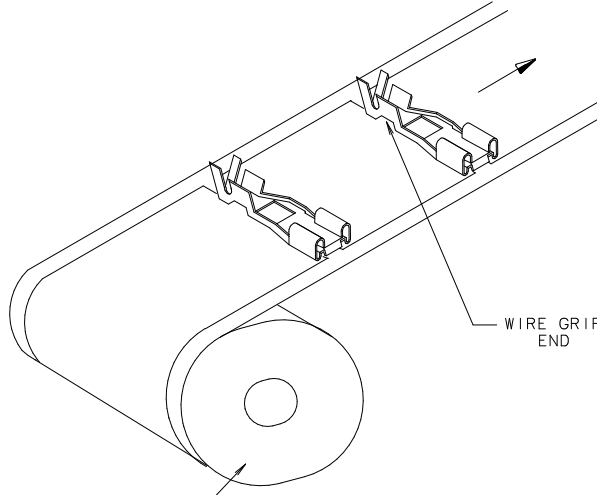
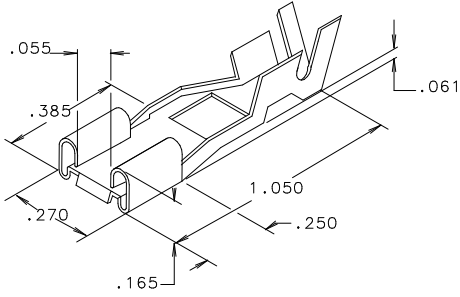
Click to view price, real time Inventory, Delivery & Lifecycle Information:

[Littelfuse](#)
[913-042](#)

For any questions, you can email us directly:
sales@integrated-circuit.com

CAD GENERATED DRAWING - NO PENCIL CHANGES ALLOWED

LITTELFUSE PART #	REELED	WIRE GAGE
913-042	YES	10
913-042-001	NO	10
913-043	YES	14
913-043-001	NO	14
913-044	YES	18



REELED TERMINALS ARE TO UNWIND FROM REEL WITH TERMINALS POSITIONED AS SHOWN

REEL IS APPROX. 19" IN DIA. (NOT DRAWN TO SCALE)

NO		COMPONENT NO	DESCRIPTION	QTY/M	U/M
BILL OF MATERIAL					
MATERIAL		PRE HOT TIN	FINISH		
DIPPED BRASS CDA 230					
COPIES TO	DRW	DATE	SCALE		
1	9 18	JMB	1/13/98	---	
2	10 19	CHK		SUPER DRW	
3	12 20	APPD		RAW STK WT	
4	13 21			LBS/M	
5	14 23	TOLERANCE UNLESS OTHERWISE SPECIFIED			
6	15 33	TWO PLACE DEC ±0.01			
7	16 43	FRACT ON ±			
8	17 53	THREE PLACE DEC ±.005 ANGULAR ±1°			
REVISION					
LTR	NO	DESCRIPTION	CHK	APD	
C	39059C	REVISE & REDRAWN ON NEW FORMAT 3/31/98	JMB		
D	81212D	ADDED PT #913-044 3/9/01	JMB		

UNLESS OTHERWISE SPECIFIED, DIMENSIONS DO NOT INCLUDE PLATING.
 Q DENOTES CRITICAL CHARACTERISTICS.
 CR DENOTES CRITICAL CHARACTERISTICS.
 CP DENOTES CP DIMENSIONS - MINIMUM CP VALUE
 DENOTES A CHARACTERISTIC THAT PROVIDES AN INDICATION OF PROCESS PERFORMANCE TO BE USED IN THE MEASUREMENT (S) OF THIS CHARACTERISTIC. THE MEASUREMENT PROCEDURE FOR MEASUREMENT OF THIS CHARACTERISTIC IS LOCATED IN THE LITTELFUSE INSTRUCTION BOOK.
 CP DENOTES CP DIMENSIONS - MINIMUM CP VALUE
 (CP) DENOTES A CHARACTERISTIC THAT PROVIDES AN INDICATION OF PROCESS PERFORMANCE TO BE USED IN THE MEASUREMENT (S) OF THIS CHARACTERISTIC. THE MEASUREMENT PROCEDURE FOR MEASUREMENT OF THIS CHARACTERISTIC IS LOCATED IN THE LITTELFUSE INSTRUCTION BOOK.
 CP DENOTES CP DIMENSIONS - MINIMUM CP VALUE
 (CP) DENOTES A CHARACTERISTIC THAT PROVIDES AN INDICATION OF PROCESS PERFORMANCE TO BE USED IN THE MEASUREMENT (S) OF THIS CHARACTERISTIC. THE MEASUREMENT PROCEDURE FOR MEASUREMENT OF THIS CHARACTERISTIC IS LOCATED IN THE LITTELFUSE INSTRUCTION BOOK.
 CP DENOTES CP DIMENSIONS - MINIMUM CP VALUE
 (CP) DENOTES A CHARACTERISTIC THAT PROVIDES AN INDICATION OF PROCESS PERFORMANCE TO BE USED IN THE MEASUREMENT (S) OF THIS CHARACTERISTIC. THE MEASUREMENT PROCEDURE FOR MEASUREMENT OF THIS CHARACTERISTIC IS LOCATED IN THE LITTELFUSE INSTRUCTION BOOK.

UNCONTROLLED DOCUMENT

CRIMP TERMINAL (SALES OUTLINE)
 DRAWG. NO. OUTLINE
 913-042, -913-044
 REVISION D
 LITTELFUSE
 DES PLAINES, ILLINOIS 60016