

## Excellent Integrated System Limited

Stocking Distributor

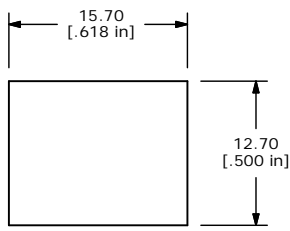
Click to view price, real time Inventory, Delivery & Lifecycle Information:

[E-Switch](#)  
[300DP4R8BLKM1QE](#)

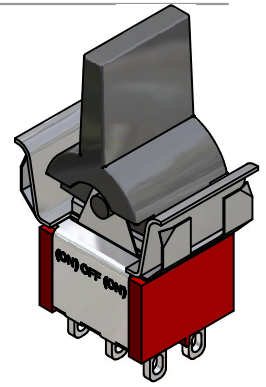
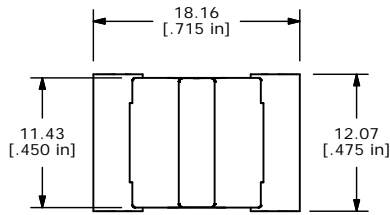
For any questions, you can email us directly:

[sales@integrated-circuit.com](mailto:sales@integrated-circuit.com)

SHEET 1 OF 1



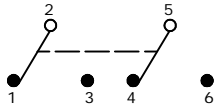
RECOMMENDED MOUNTING



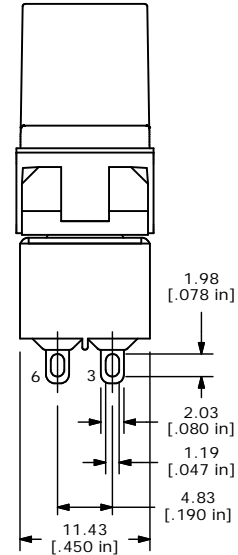
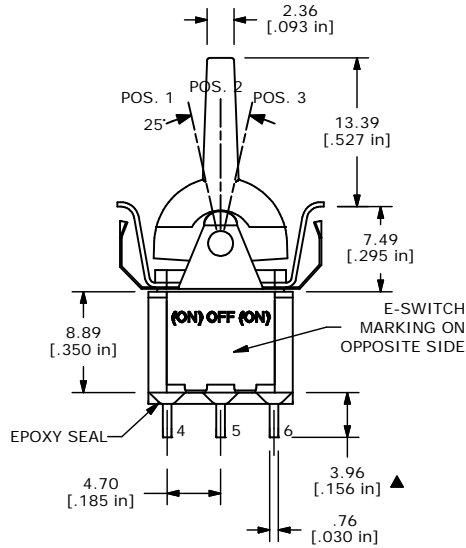
ISOMETRIC

| SWITCH FUNCTION |        |          |
|-----------------|--------|----------|
| POS. 1          | POS. 2 | POS. 3   |
|                 |        |          |
| (ON)            | OFF    | (ON)     |
| 2-3, 5-6        | OPEN   | 2-1, 5-4 |

(ON)=MOMENTARY



CIRCUIT: DPDT



- NOTE:
1. ALL DIMENSIONS IN MM [INCH]
  2. GENERAL TOLERANCE: X.X=±0.4 X.XX=±0.25
  3. TERMINAL NUMBERS FOR REF ONLY
  - ▲ 4. PLATING MATERIAL: SILVER
  5. RATING: 5 AMPS @120VAC OR 28VDC  
2 AMPS @250VAC
  6. ELECTRIC LIFE: 50,000 MAKE-AND-BREAK CYCLES AT FULL LOAD.
  7. INSULATION RESISTANCE: 1,000 MEGA-OHM MIN.
  8. DIELECTRIC STRENGTH: 1,000 V RMS @SEA LEVEL.
  9. OPERATING TEMP.: -30°C to 85°C
  10. ▲ DENOTES CRITICAL PARAMETER.

**E-SWITCH®**

|     |        |                         |         |    |
|-----|--------|-------------------------|---------|----|
| A   | 14709  | RELEASED FOR PRODUCTION | 2/23/05 | AR |
| REV | PCR NO | DESCRIPTION             | DATE    | BY |

THE INFORMATION CONTAINED IN THIS DOCUMENT IS PROPRIETARY TO E-SWITCH AND IS NOT TO BE COPIED OR TRANSFERRED

|                       |              |       |             |       |
|-----------------------|--------------|-------|-------------|-------|
| TITLE 300DP4R8BLKM1QE |              |       |             |       |
| SCALE 2:1             | DATE 2/23/05 | DR AR | DWG T324005 | REV A |