



Distributor of Molex Connector Corporation: Excellent Integrated System Limited
Datasheet of 19008-0001 - Connector Quick Connect Receptacle 18-22 AWG 0.187" (4.75mm)
Crimp

Contact us: sales@integrated-circuit.com Website: www.integrated-circuit.com

Excellent Integrated System Limited

Stocking Distributor

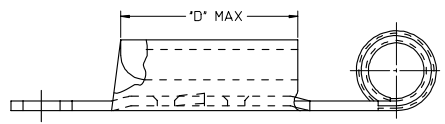
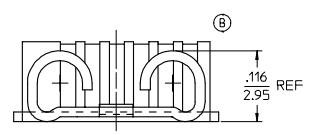
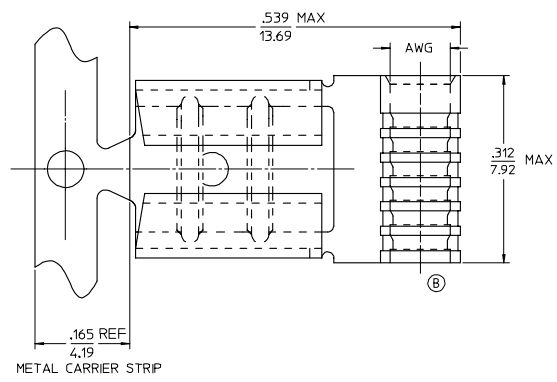
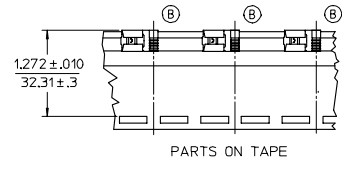
Click to view price, real time Inventory, Delivery & Lifecycle Information:

[Molex Connector Corporation](#)
[19008-0001](#)

For any questions, you can email us directly:
sales@integrated-circuit.com

Engineering Files @ Integrated-circuit.com Website: www.integrated-circuit.com

MATERIAL NUMBER ON STRIP	ENGINEERING NUMBER ON STRIP	MATERIAL NUMBER LOOSE PIECE	ENGINEERING NUMBER LOOSE PIECE	MATERIAL NUMBER	ENGINEERING NUMBER	AWG	TAB SIZE	MAX
190080008	AAZ-1147	190080001	AA-1147	190080004	AA-1147T	22-18	.187 X .020	.257/6.53
190080009	AAZ-1147-032	190080002	AA-1147-032	190080003	AA-1147-032T	22-18	.187 X .032	.257/6.53
190080013	AAZ-1158	190080006	AA-1158	190080007	AA-1158T	22-18	.250 X .032	.312/7.92
190080028	BBZ-1148	190080019	BB-1148	190080022	BB-1148T	16-14	.187 X .020	.257/6.53
190080029	BBZ-1148-032	190080020	BB-1148-032	190080021	BB-1148-032T	16-14	.187 X .032	.257/6.53
190080031	BBZ-1159	190080024	BB-1159	190080027	BB-1159T	16-14	.250 X .032	.312/7.92



SALES DRAWING

- NOTES:
- MATERIAL: BRASS .016/0.04 THICK. PLATING ELECTRO-TIN.
 - TAB SIZE SEE CHART.
 - WIRE AWG SEE CHART.
 - PART IS ROHS COMPLIANT.

REVISED BARREL & CHART E.C. NO: ET12007-0001 DRAWN BY: 2006/07/13 CHK'D: JIMONE LL 2006/07/17 APPROVED BY: 2006/07/17 DESCRIPTION:	QUALITY SYMBOLS	GENERAL TOLERANCES (UNLESS SPECIFIED)	DIMENSION STYLE	SCALE	DESIGN UNITS	THIRD ANGLE PROJECTION																																
	$\nabla=0$ $\nabla=0$	<table border="1"> <thead> <tr> <th></th> <th>mm</th> <th>INCH</th> </tr> </thead> <tbody> <tr> <td>4 PLACES</td> <td>± .005</td> <td>± .0005</td> </tr> <tr> <td>3 PLACES</td> <td>± .01</td> <td>± .001</td> </tr> <tr> <td>2 PLACES</td> <td>± .13</td> <td>± .01</td> </tr> <tr> <td>1 PLACE</td> <td>± .25</td> <td>± .01</td> </tr> </tbody> </table>		mm	INCH	4 PLACES	± .005	± .0005	3 PLACES	± .01	± .001	2 PLACES	± .13	± .01	1 PLACE	± .25	± .01	<table border="1"> <thead> <tr> <th>IN/MM</th> <th>DATE</th> <th>TITLE</th> </tr> </thead> <tbody> <tr> <td>BENDERLE</td> <td>2005/01/25</td> <td rowspan="2">FLAG QD 22-18 AWG & 16-14 AWG .187X.020&.032,.250X.032</td> </tr> <tr> <td>R DEROSS</td> <td>2005/01/25</td> </tr> <tr> <td>R DEROSS</td> <td>2005/01/25</td> <td>MOLEX INCORPORATED</td> </tr> </tbody> </table>	IN/MM	DATE	TITLE	BENDERLE	2005/01/25	FLAG QD 22-18 AWG & 16-14 AWG .187X.020&.032,.250X.032	R DEROSS	2005/01/25	R DEROSS	2005/01/25	MOLEX INCORPORATED	NONE	INCH	<table border="1"> <thead> <tr> <th>MATERIAL NO.</th> <th>DOCUMENT NO.</th> <th>SHEET NO.</th> </tr> </thead> <tbody> <tr> <td>SEE CHART</td> <td>SD-19008-013</td> <td>1 OF 1</td> </tr> </tbody> </table>	MATERIAL NO.	DOCUMENT NO.	SHEET NO.	SEE CHART	SD-19008-013	1 OF 1
		mm	INCH																																			
	4 PLACES	± .005	± .0005																																			
3 PLACES	± .01	± .001																																				
2 PLACES	± .13	± .01																																				
1 PLACE	± .25	± .01																																				
IN/MM	DATE	TITLE																																				
BENDERLE	2005/01/25	FLAG QD 22-18 AWG & 16-14 AWG .187X.020&.032,.250X.032																																				
R DEROSS	2005/01/25																																					
R DEROSS	2005/01/25	MOLEX INCORPORATED																																				
MATERIAL NO.	DOCUMENT NO.	SHEET NO.																																				
SEE CHART	SD-19008-013	1 OF 1																																				
DRAFT WHERE APPLICABLE MUST REMAIN WITHIN DIMENSIONS	ANGULAR ±1/2°	THIS DRAWING CONTAINS INFORMATION THAT IS PROPRIETARY TO MOLEX INCORPORATED AND SHOULD NOT BE USED WITHOUT WRITTEN PERMISSION																																				