

Excellent Integrated System Limited

Stocking Distributor

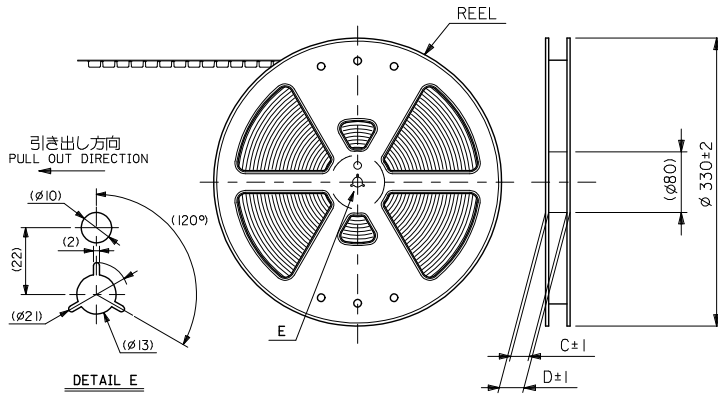
Click to view price, real time Inventory, Delivery & Lifecycle Information:

[Molex Connector Corporation](#)
[52559-3072](#)

For any questions, you can email us directly:

sales@integrated-circuit.com

10 9 8 7 6 5 4 3 2 1



5. 材料
 キャリアテープ: ポリプロピレン (PP)
 トップテープ: PET, PE, PEF
 リール: ポリスチレン (PS) <リサイクル材を含む>

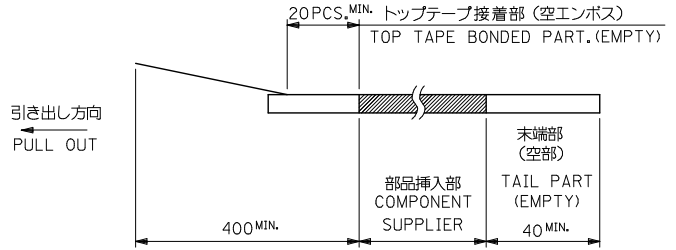
MATERIAL CARRIER TAPE: POLYPROPYLENE
 TOP TAPE: PET, PE, PEF
 REEL: POLYSTYRENE (PS)
 <RECYCLE MATERIAL CONTAINED>

6. 本製品は 52559-***92 の鉛フリー品である。
 THIS PRODUCT IS LEAD FREE OF 52559-***92

7. 本製品は乾燥剤入り、ハイバリア梱包仕様である。
 THIS PRODUCT IS HIGH BARRIER PACKAGE WITH DESICCANT.

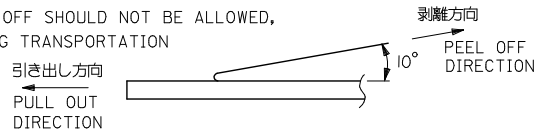
注記 NOTES

- 製品番号 52559-***19 の梱包状態はアクチュエータがロックした状態とする。
 詳細寸法については図面 SD-52559-027 を参照下さい。
 IN THE PACKAGE, ACTUATOR OF PART NO. 52559-***19 SHOULD BE LOCKED RE DETAILED DIMENSIONS, SEE SD-52559-027
- 梱包数量: 1000個/リール
 NUMBER OF CONNECTORS: 1000PCS/REEL
- リードテープ長さ LEAD TAPE LENGTH



- トップテープの剥離強度: (剥離方向は下図参照)
 0.1~1.3N {10gf~130gf} 尚、本規格値は、出荷時に適用。
 (但し、輸送時に剥離が発生しない事。)

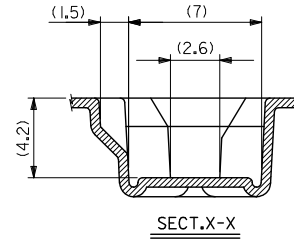
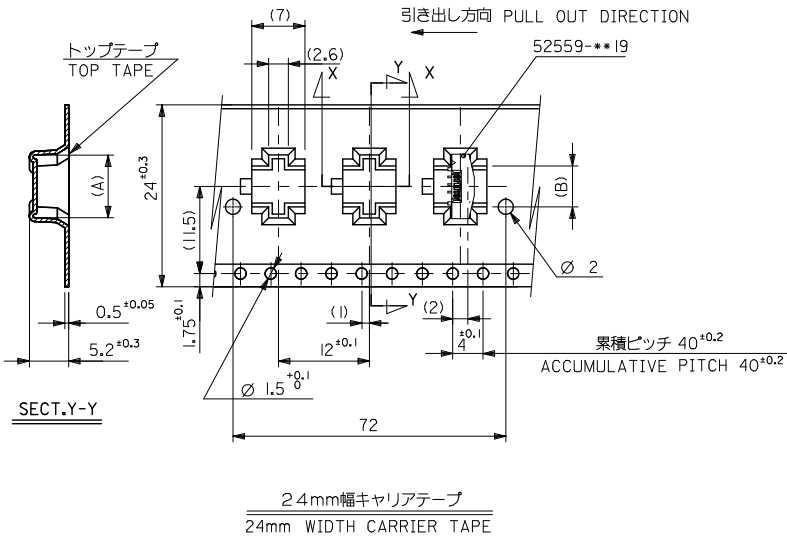
PEEL OFF FORCE OF TOP TAPE
 0.1~1.3N {10gf~130gf} (PEELING DIRECTION AS SHOWN IN FOLLOWING FIG.)
 THIS REQUIREMENT SHOULD BE APPLIED AT SHIPMENT
 PEEL OFF SHOULD NOT BE ALLOWED,
 DURING TRANSPORTATION



52559-***72
 MODEL NO.

REVISED EC NO. J2009-2061 DRAWN BY: CHIKO MATSUMOTO CHECKED BY: CHIKO MATSUMOTO APPROVED BY: ARIKAWA 2009/05/20 2009/05/21 2009/05/21	GENERAL TOLERANCES (UNLESS SPECIFIED)		DIMENSION STYLE MM ONLY	SCALE ---	DESIGN UNITS METRIC	THIRD ANGLE PROJECTION
	10 UNDER	±0.2	DRAWN BY: H. SHIMABUKUR DATE: 2004/01/07	TITLE 0.5 FPC CONN ASSY ZIF SMT ST EMBSTP PKG -LEAD FREE-		
	10 OVER 30 UNDER	±0.25	CHECKED BY: K. TOJO DATE: 2004/01/07	MOLEX INCORPORATED		
	30 OVER	±0.3	APPROVED BY: M. SASAO DATE: 2004/01/07	DOCUMENT NO. SD-52559-028 SHEET NO. 1 OF 4		
B	ANGULAR	±3 °	MATERIAL NO. SEE SHEET 2-4	THIS DRAWING CONTAINS INFORMATION THAT IS PROPRIETARY TO MOLEX INCORPORATED AND SHOULD NOT BE USED WITHOUT WRITTEN PERMISSION		
	DRAFT WHERE APPLICABLE MUST REMAIN WITHIN DIMENSIONS					

10 9 8 7 6 5 4 3 2 1

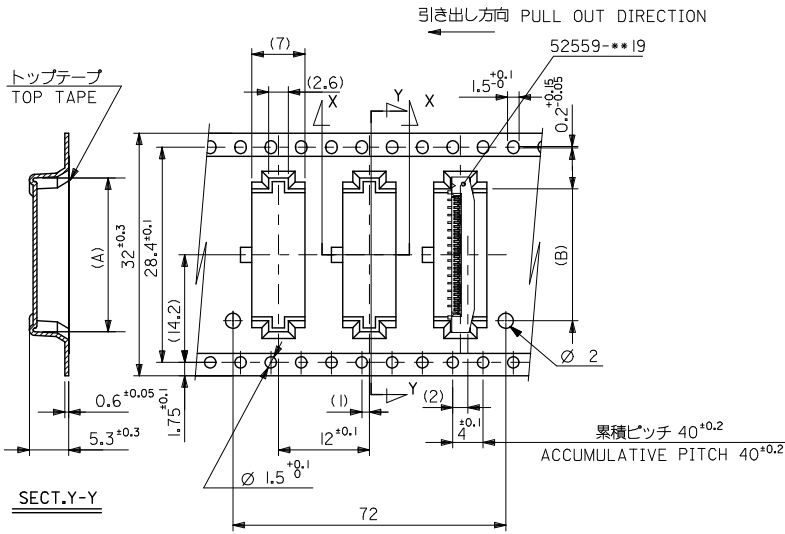


24mm幅キャリアテープ
24mm WIDTH CARRIER TAPE

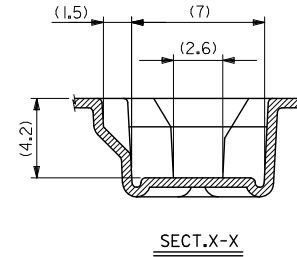
24	29.4	25.4	14.4	17.3	52559-2472	24
			13.9	16.8	52559-2372	23
			12.9	15.8	52559-2172	21
			12.4	15.3	52559-2072	20
			10.9	13.8	52559-1772	17
			10.4	13.3	52559-1672	16
			9.9	12.8	52559-1572	15
			9.4	12.3	52559-1472	14
			8.4	11.3	52559-1272	12
			7.4	10.3	52559-1072	10
6.9	9.8	52559-0972	9			
5.4	8.3	52559-0672	6			

52559-**72	キャリアテープ幅 CARRIER TAPE WIDTH	D	C	(B)	(A)	MATERIAL NO.	CIRCUIT NO.
GENERAL TOLERANCES (UNLESS SPECIFIED)		DIMENSION STYLE MM ONLY		SCALE ---	DESIGN UNITS METRIC	THIRD ANGLE PROJECTION	
10 UNDER	± 0.2	DRAWN BY H. SHIMABUKUR		DATE 2004/01/07		TITLE 0.5 FPC CONN ASSY ZIF SMT ST EMBSTP PKG -LEAD FREE-	
10 OVER 30 UNDER	± 0.25	CHECKED BY K. TOJO		DATE 2004/01/07		MOLEX INCORPORATED	
30 OVER	± 0.3	APPROVED BY M. SASAO		DATE 2004/01/07		MATERIAL NO. DOCUMENT NO.	
ANGULAR ± 3 °		SEE TABLE		SD-52559-028		SHEET NO. 2 OF 4	
DRAFT WHERE APPLICABLE MUST REMAIN WITHIN DIMENSIONS		THIS DRAWING CONTAINS INFORMATION THAT IS PROPRIETARY TO MOLEX INCORPORATED AND SHOULD NOT BE USED WITHOUT WRITTEN PERMISSION					

10 9 8 7 6 5 4 3 2 1



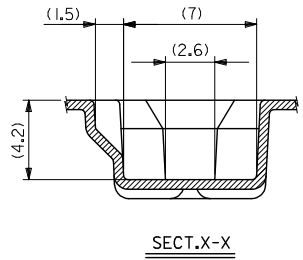
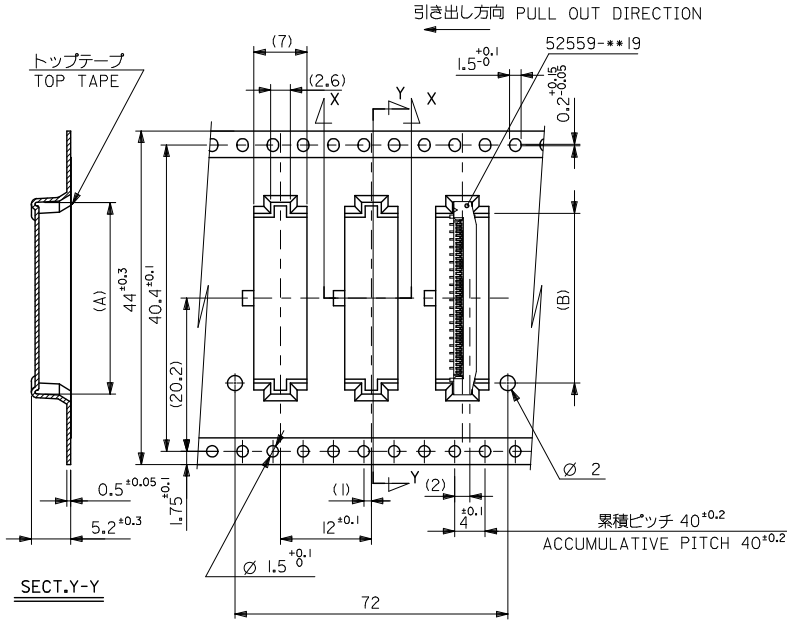
32mm幅キャリアテープ
32mm WIDTH CARRIER TAPE



32	37.4	33.4	18.4	21.3	52559-3272	32
			17.4	20.3	52559-3072	30
			16.4	19.3	52559-2872	28
			15.9	18.8	52559-2772	27
			15.4	18.3	52559-2672	26

52559-**-72	MODEL NO.	キャリアテープ幅 CARRIER TAPE WIDTH	D	C	(B)	(A)	MATERIAL NO.	CIRCUIT NO.
GENERAL TOLERANCES (UNLESS SPECIFIED)		DIMENSION STYLE MM ONLY		SCALE ---	DESIGN UNITS METRIC		THIRD ANGLE PROJECTION	
10 UNDER	± 0.2	DRAWN BY H. SHIMABUKUR		DATE 2004/01/07		TITLE 0.5 FPC CONN ASSY ZIF SMT ST EMBSTP PKG -LEAD FREE-		
10 OVER 30 UNDER	± 0.25	CHECKED BY K. TOJO		DATE 2004/01/07		MOLEX INCORPORATED		
30 OVER	± 0.3	APPROVED BY M. SASAO		DATE 2004/01/07		MATERIAL NO.		
ANGULAR ± 3 °		DRAFT WHERE APPLICABLE MUST REMAIN WITHIN DIMENSIONS		SEE TABLE		DOCUMENT NO. SD-52559-028		SHEET NO. 3 OF 4
THIS DRAWING CONTAINS INFORMATION THAT IS PROPRIETARY TO MOLEX INCORPORATED AND SHOULD NOT BE USED WITHOUT WRITTEN PERMISSION								

10 9 8 7 6 5 4 3 2 1

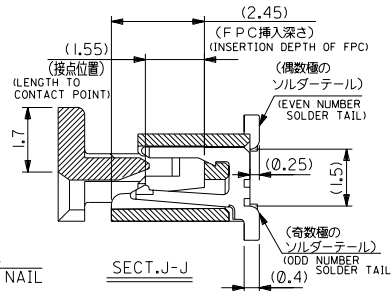
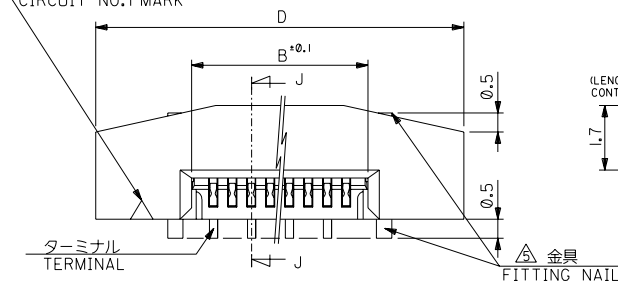


44mm幅キャリアテープ
44mm WIDTH CARRIER TAPE

REVISED	EC NO. J2009-2061	2009/05/20	2009/05/21	2009/05/21																														
DESCRIPTION	DRW:TKON	CHK:CHMATSUMOTO	APP:RUKITA	2009/05/21	GENERAL TOLERANCES (UNLESS SPECIFIED)	10 UNDER	±0.2	10 OVER	30 UNDER	±0.25	30 OVER	±0.3	ANGULAR	±3 °	DRAFT WHERE APPLICABLE MUST REMAIN WITHIN DIMENSIONS	MODEL NO.	52559-**72	CARRIER TAPE WIDTH	44	D	49.4	C	45.4	(B)	(A)	22.4	25.3	52559-4072	40	MATERIAL NO.	52559-3672	CIRCUIT NO.	36	
REVISION	B																																	

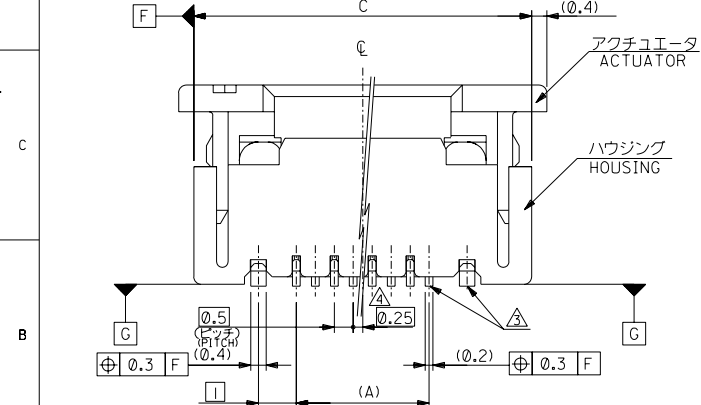
DWG. NO. SD-52559-045

回路番号 1 用マーク
CIRCUIT NO.1 MARK



注記 NOTES

- 使用材料: MATERIAL
 ハウジング HOUSING : 46NYLON UL94V-0
 アクチュエータ ACTUATOR : PPS UL94V-0
 ターミナル TERMINAL : リン青銅 (t=0.2) PHOS-BRO
 金具 FITTING NAIL : リン青銅 (t=0.4) PHOS-BRO
 ソルダテール SOLDER TAIL : 錫ビスマックス 1.0 MICROMETER MINIMUM
 ニッケル下地 1.0 MICROMETER MINIMUM
 ニッケル(UNDER PLATING) 1.0 MICROMETER MINIMUM
- エンボステーザ部時は、アクチュエータがロックした状態とする。
 IN THE PACKAGE, ACTUATOR OF PART NO.52559-045 SHOULD BE LOCKED.
 △ソルダテール半田付け面のズレ量、及び金具半田付け面のズレ量は、基準面 [C] に対し上方向 0.05 MAX.、下方向 0.15 MAX. とする。
 MISALIGNMENT OF SOLDER TAILS AND FITTING NAILS FROM [C] UPPER DIRECTION: 0.05 MAX., LOWER DIRECTION: 0.15 MAX.
 △偶数側に適用。
 APPLY FOR EVEN CIRCUIT.
 △パターンはくり止め用金具。
 FITTING NAIL FOR PREVENTION OF PEELING OF P.C.B. PATTERN.
 △R.O. 3は、FPCの導体部にかからないこと。
 R.O.3 MUST NOT BE OVERLAPPED TO PATTERN OF FPC.
 7. 本製品は 52559-045 の鉛フリー品である。
 THIS PRODUCT IS LEAD FREE OF 52559-045



DO NOT SCALE DRAWING

REV. NO.	REVISED	DESCRIPTION
0	RELEASED	DRW: H. SHIMABUKURO CHK: K. TOJO APP: H. SALAM
1	REVISED	DRW: H. KAWABATA CHK: K. TOJO APP: H. SALAM

MATERIAL	注記参照
FINISH	SEE NOTES
WIRE RANGE	適用電線範囲
INS. RANGE	被覆外径

GENERAL TOLERANCES: (UNLESS SPECIFIED)	SCALE	DESIGN UNITS
10 UNDER 未満	+	mm
10 OVER 30 UNDER 未満	+	mm
30 OVER 以上	+	mm
ANGLE 角度	+	°

DRAWN BY & DATE	H. SHIMABUKURO 04/01/07
CHECKED BY & DATE	K. TOJO 04/01/07
APPROVED BY & DATE	H. SALAM 04/01/07
CAD FILENAME	SD-52559-045.S01

MODEL NO.	52559-045
DIMENSIONS:	mm
PROJECTION	ANGLE
TITLE: 0.5 FPC Conn. Assy ZIF. -LEAD FREE-	
MOLEX INCORPORATED	
MATERIAL NO.	SEE CHART
DRAWING NO.	SD-52559-045
SHEET NO.	1 OF 2
SIZE	B
EN-02J(097) MXJ-54	

1575-045-045

DWG. NO. SD-52559-045

F

D

A

C

B

DO NOT SCALE DRAWING

F

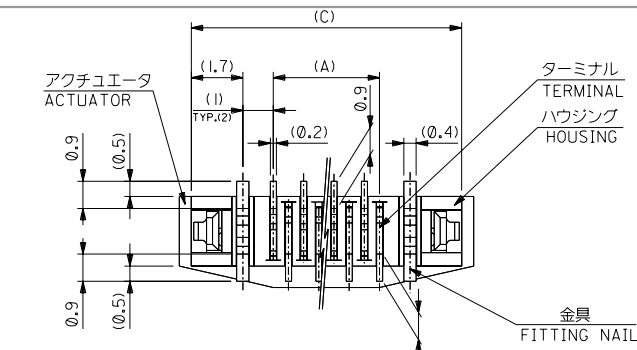
E

D

C

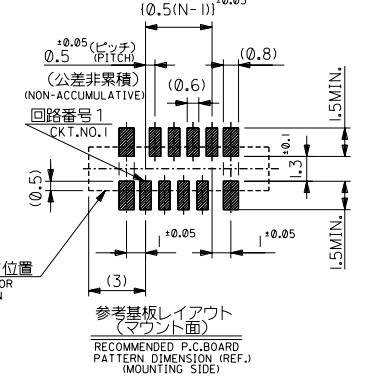
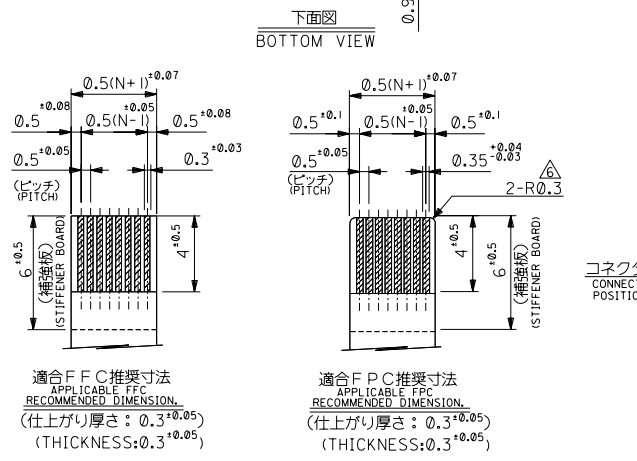
B

2559-045-045



FPCについて:
打抜き方向は導体側から補強板側を推奨致します。
補強フィルム材質はポリイミドを推奨致します。
接着剤は熱硬化接着剤を推奨致します。

ABOUT FPC :
RECOMMENDED PUNCHER DIRECTION : FROM CONDUCTOR SIDE TO STIFFENER BOARD SIDE.
RECOMMENDED MATERIAL :
STIFFENER FILM : POLYIMIDE
BONDING AGENT : THERMOSETTING BONDING AGENT



25.7	24.9	20.65	19.5	52559-4019	40
23.7	22.9	18.65	17.5	-3619	36
22.2	21.4	17.15	16.0	-3319	33
21.7	20.9	16.65	15.5	-3219	32
21.2	20.4	16.15	15.0	-3119	31
20.7	19.9	15.65	14.5	-3019	30
20.2	19.4	15.15	14.0	-2919	29
19.7	18.9	14.65	13.5	-2819	28
19.2	18.4	14.15	13.0	-2719	27
18.7	17.9	13.65	12.5	-2619	26
18.2	17.4	13.15	12.0	-2519	25
17.7	16.9	12.65	11.5	-2419	24
17.2	16.4	12.15	11.0	-2319	23
16.7	15.9	11.65	10.5	-2219	22
16.2	15.4	11.15	10.0	-2119	21
15.7	14.9	10.65	9.5	-2019	20
15.2	14.4	10.15	9.0	-1919	19
14.7	13.9	9.65	8.5	-1819	18
14.2	13.4	9.15	8.0	-1719	17
13.7	12.9	8.65	7.5	-1619	16
13.2	12.4	8.15	7.0	-1519	15
12.7	11.9	7.65	6.5	-1419	14
12.2	11.4	7.15	6.0	-1319	13
11.7	10.9	6.65	5.5	-1219	12
11.2	10.4	6.15	5.0	-1119	11
10.7	9.9	5.65	4.5	-1019	10
10.2	9.4	5.15	4.0	-0919	9
9.7	8.9	4.65	3.5	-0819	8
8.7	7.9	3.65	2.5	52559-0619	6
D	C	B	(A)	MATERIAL NO.	種数

適合FFC推奨寸法
APPLICABLE FFC
RECOMMENDED DIMENSION.
(仕上がり厚さ: 0.3^{+0.05})
(THICKNESS: 0.3^{+0.05})

適合FPC推奨寸法
APPLICABLE FPC
RECOMMENDED DIMENSION.
(仕上がり厚さ: 0.3^{+0.05})
(THICKNESS: 0.3^{+0.05})

推奨P.C. BOARD
PATTERN DIMENSION (REF.)
(MOUNTING SIDE)

REV. NO.	REV. NO.	REV. NO.	REVISED
8	7	6	A
DRWN: CHK: APPR:	DRWN: CHK: APPR:	DRWN: CHK: APPR:	DRWN: CHK: APPR:

REV. NO.	REVISED
0	A
DRWN: H. SHIMABUKURO	DRWN: H. SHIMABUKURO
CHK: K. TOJO	CHK: K. TOJO
APPR: H. SALAM	APPR: H. SALAM

MATERIAL	注記参照
FINISH	SEE NOTES
WIRE RANGE	
INS. RANGE	

GENERAL TOLERANCES:	SCALE	DESIGN UNITS
(UNLESS SPECIFIED)	→	mm INCH
10 UNDER 未満	+0.2	PROJECTION
10 OVER 30 未満	+0.25	ANGLE
30 OVER 以上	+0.3	PROJECTION
ANGLE 角度	+3°	ANGLE

MODEL NO.	52559-045	DIMENSIONS:	SHT	REV
DESIGN UNITS	mm INCH	mm INCH	2	OF 2
PROJECTION	ANGLE	PROJECTION		
TITLE:	0.5 FPC Conn. Assy ZIF. -LEAD FREE-			
APPROVED BY & DATE	H. SALAM 04/01/07			
CAD FILENAME	SD-52559-045.S02			
MATERIAL NO.	SEE CHART	DRAWING NO.	SD-52559-045	SHEET NO.
INCORPORATED AND SHOULD NOT BE USED WITHOUT WRITTEN PERMISSION.				2 OF 2
				SIZE B
				EN-02J(097) MXJ-54