

Excellent Integrated System Limited

Stocking Distributor

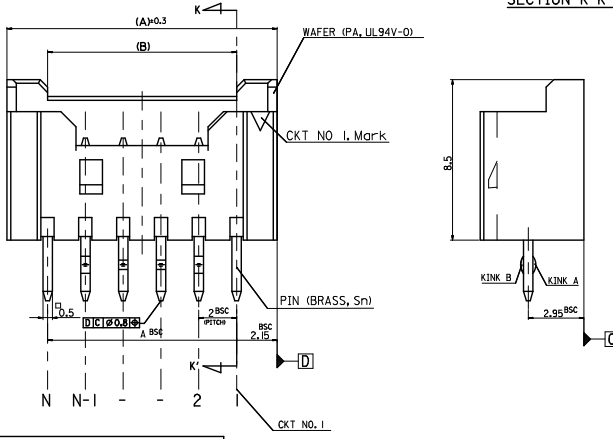
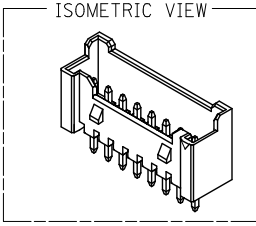
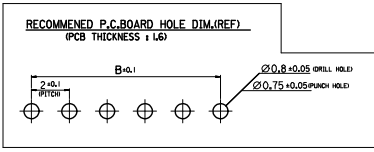
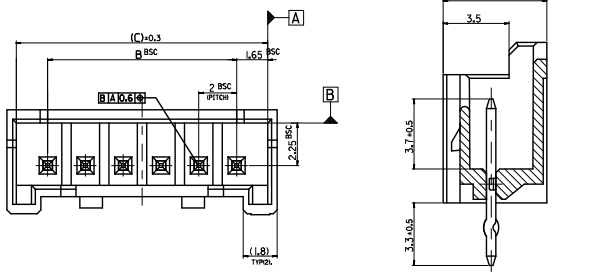
Click to view price, real time Inventory, Delivery & Lifecycle Information:

[Molex Connector Corporation](#)
[0353620650](#)

For any questions, you can email us directly:

sales@integrated-circuit.com

10 9 8 7 6 5 4 3 2 1



LEGEND

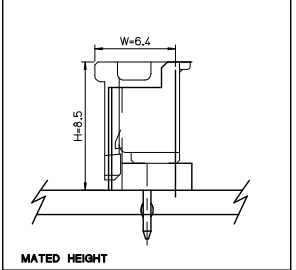
SD-35362-****
CKT NO. _____ COLOR _____

FINAL GOOD (BULK) — 5 : SELECTIVE KINK (LEAD FREE) — 1 : BLACK
 — 6 : NONE KINK (LEAD FREE) — 2 : RED
 SUB ASSY (TUBE) — 7 : SELECTIVE KINK (LEAD FREE) — 3 : YELLOW
 — 8 : NONE KINK (LEAD FREE) — 4 : BLUE
 — 5 : GREEN
 — 6 : TUBE PACKING (Natural Color)
 — 7 : TUBE PACKING (Red Color)
 — 8 : TUBE PACKING (Blue Color)

- NOTES**
1. MATERIAL : UNFILLED POLYAMIDE, UL94V-0
PIN : BRASS
 2. FINISHES : PIN : TinSn 1-3µm OVERALL
 3. PRODUCT SPECIFICATION : PS-35507-003
 4. MATING HOUSING : 35507-***0*
 5. MATING TERMINAL : 50212-8000
 6. KINK

31.3	28	32.3	3536215**	35362-15**	I5
29.3	26	30.3	3536214**	35362-14**	I4
27.3	24	28.3	3536213**	35362-13**	I3
25.3	22	26.3	3536212**	35362-12**	I2
23.3	20	24.3	3536211**	35362-11**	I1
21.3	18	22.3	3536210**	35362-10**	I0
19.3	16	20.3	3536209**	35362-09**	9
17.3	14	18.3	3536208**	35362-08**	8
15.3	12	16.3	3536207**	35362-07**	7
13.3	10	14.3	3536206**	35362-06**	6
11.3	8	12.3	3536205**	35362-05**	5
9.3	6	10.3	3536204**	35362-04**	4

CKT NO	1	2	3	4	5	N-2	N-1	N
6 CKT OVER	-	A	B	-	-	B	A	-
5 CKT	A	B	-	B	A			
4 CKT	A	B	B	A				



LEAD FREE

30 over	±0.3
10 over 30 under	±0.25
10 under	±0.2
ANGLE	±3°
GENERAL TOLERANCE	

REVISED
EC. NO. : KOR2015-0019
DRAWN BY : M01
CHKD BY : SKM
APPR. : YJM

2014/08/25
2014/08/26
2014/09/03

QUALITY SYMBOLS

▽=0
▽=0
▽=0

GENERAL TOLERANCES (UNLESS SPECIFIED)

	mm	INCH
4 PLACES	±---	±---
3 PLACES	±---	±---
2 PLACES	±---	±---
1 PLACE	±---	±---
0 PLACE	±	±

ANGULAR ±---°
DRAFT WHERE APPLICABLE MUST REMAIN WITHIN DIMENSIONS

DIMENSION STYLE: MM ONLY

SCALE: 5:1

DESIGN UNITS: METRIC

THIRD ANGLE PROJECTION

2.0 W/B WAFER ASS'Y -LEAD FREE-

molex

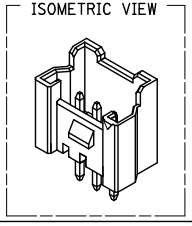
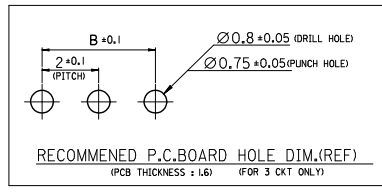
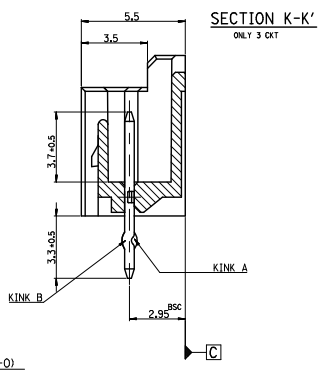
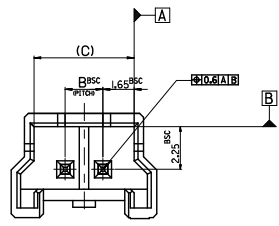
DOCUMENT NO. SD-35362-002

SHEET NO. 1 OF 1

9 8 7 6 5 4 3 2 1

10 9 8 7 6 5 4 3 2 1

FOR 2 & 3 CKTS.



LEGEND

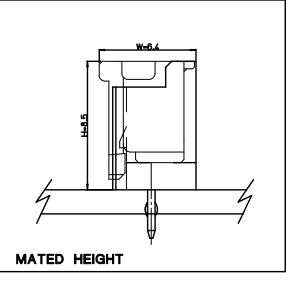
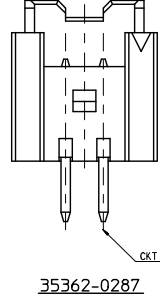
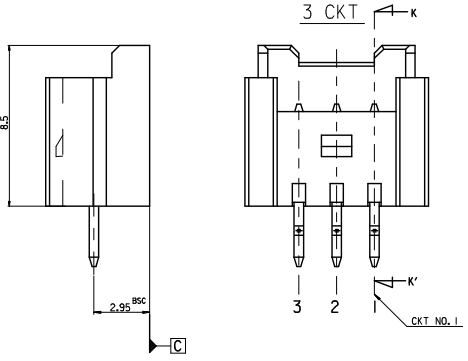
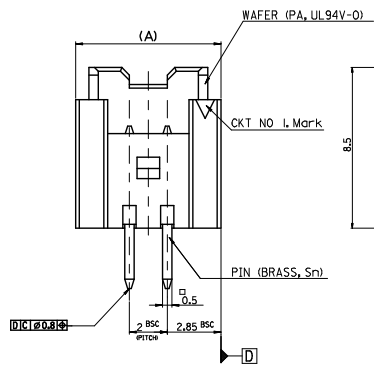
SD-35362-***
CKT NO. COLOR

0	NATURAL
1	BLACK
2	RED
3	YELLOW
4	BLUE
5	GREEN
6	TUBE PACKING (Natural Color)
7	TUBE PACKING (Red Color)
8	TUBE PACKING (Blue Color)

FINAL GOOD (BULK) 5 : SELECTIVE KINK (LEAD FREE)
 6 : NONE KINK (LEAD FREE)

SUB ASSY (TUBE) 7 : SELECTIVE KINK (LEAD FREE)
 8 : NONE KINK (LEAD FREE)

- NOTES**
- MATERIAL : UNFILLED POLYAMIDE, UL94V-0
PIN : BRASS
 - FINISHES : PIN : Tin(Sn) 1-34um OVERALL
 - PRODUCT SPECIFICATION : PS-35507-003
 - MATING HOUSING : 35507-***0
MATING TERMINAL : 50212-8000
 - KINK
- | CKT NO | 1 | 2 | 3 |
|--------|---|---|---|
| 2 CKT | | | |
| 3 CKT | A | B | A |
- | CKT NO | 1 | 2 |
|-------------|---|---|
| PRODUCT NO. | A | B |
| 35362-0287 | A | B |



7.3	4	9.7	3536203**	35362-03**	3
5.3	2	7.7	3536202**	35362-02**	2
(C)	B	(A)	MATERIAL NO.	ENG. NO.	CKT

LEAD FREE

30 over	±0.3
10 over 30 under	±0.25
10 under	±0.2
ANGLE	±3°
GENERAL TOLERANCE	

REVISIONS

REV	DESCRIPTION	DATE
1	DRW:KIM01	2011/08/25
2	CHK:KSKIM	2011/08/26
3	APP:TSKIM02	2011/09/03

QUALITY SYMBOLS

√=0

√=0

√=0

√=0

ANGULAR ±---°

DRAFT WHERE APPLICABLE MUST REMAIN WITHIN DIMENSIONS

GENERAL TOLERANCES (UNLESS SPECIFIED)

	mm	INCH
4 PLACES	±---	±---
3 PLACES	±---	±---
2 PLACES	±---	±---
1 PLACE	±---	±---
0 PLACE	±	±

DIMENSION STYLE: MM ONLY

SCALE: 5:1

DESIGN UNITS: METRIC

THIRD ANGLE PROJECTION

DRAWN BY: YSOOKIM DATE: 1996/09/11

CHECKED BY: JKOH DATE: 1996/09/11

APPROVED BY: DATE:

MATERIAL NO. SEE TABLE

DOCUMENT NO. SD-35362-002

SHEET NO. 1 OF 1

molex

2.0 W/B WAFER ASSY
-LEAD FREE-

THIS DRAWING CONTAINS INFORMATION THAT IS PROPRIETARY TO MOLEX INCORPORATED AND SHOULD NOT BE USED WITHOUT WRITTEN PERMISSION

9 8 7 6 5 4 3 2 1