

Excellent Integrated System Limited

Stocking Distributor

Click to view price, real time Inventory, Delivery & Lifecycle Information:

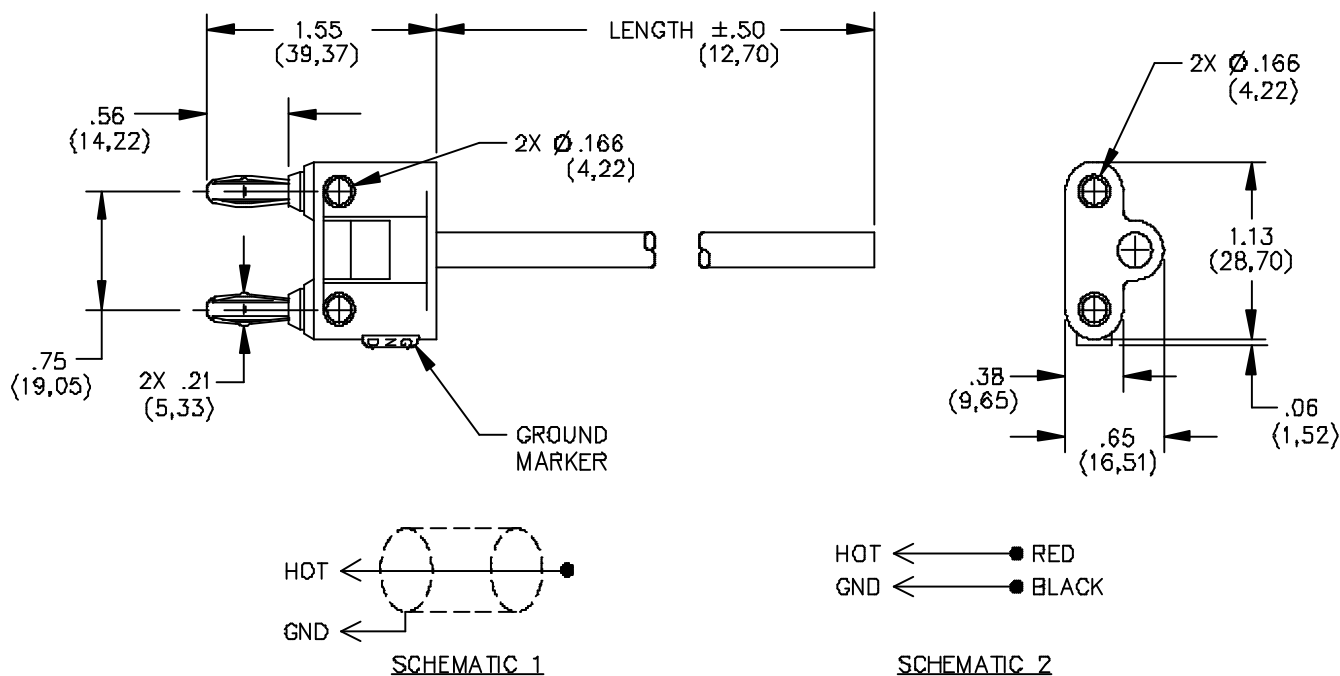
[Pomona Electronics](#)
[1326-A-60](#)

For any questions, you can email us directly:

sales@integrated-circuit.com

Pomona®

Model 1326 Double Banana Plug One End Only



Part Number	Schematic	Cable Type	Diameter	Impedance	Length
1326-A-60	2	Twisted Pair	.250" (6,35 mm)	-	60" (152,4 cm)
1326-C-60	1	RG58C/U	.195" (4,95 mm)	50 Ohms	60" (152,4 cm)

FEATURES:

- This double banana plug cable is designed to be used with all standard .166" (4mm) diameter banana jacks.
- These jacks are usually spaced at .75" (19mm) apart. Pomona's double banana plugs can be used with most digital multimeters that have the common and volt-ohm jacks at the standard spacing.
- This cable is also suited for use with power supplies that have binding post outputs
- The Pomona Banana Plug is well known for durability and reliability.
- We take considerable pride in the materials and workmanship that go into this plug.

- The one-piece Beryllium Copper leaf spring with hard nickel plating is swaged into the solid brass banana plug body.

MATERIALS:

The plug is insert molded with black polypropylene (1326-C-).

The plug is insert molded with gray polypropylene (1326-A-).

RATINGS:

Operating Temperature: +55° C (+131° F) Max.
 1326-A 300VAC/424VDC
 1326-C 500VRMS

ORDERING INFORMATION: Model 1326

All dimensions are in inches. Tolerances (except noted): .xx = ±.02" (.51 mm), .xxx = ±.005" (.127 mm).
 All specifications are to the latest revisions. Specifications are subject to change without notice.
 Registered trademarks are the property of their respective companies. Made in USA