



Distributor of Pomona Electronics: Excellent Integrated System Limited

Datasheet of 1330-ST-0 - DOUBLE BAN PLUG W/SLD TURRET BLK

Contact us: sales@integrated-circuit.com Website: www.integrated-circuit.com

Excellent Integrated System Limited

Stocking Distributor

Click to view price, real time Inventory, Delivery & Lifecycle Information:

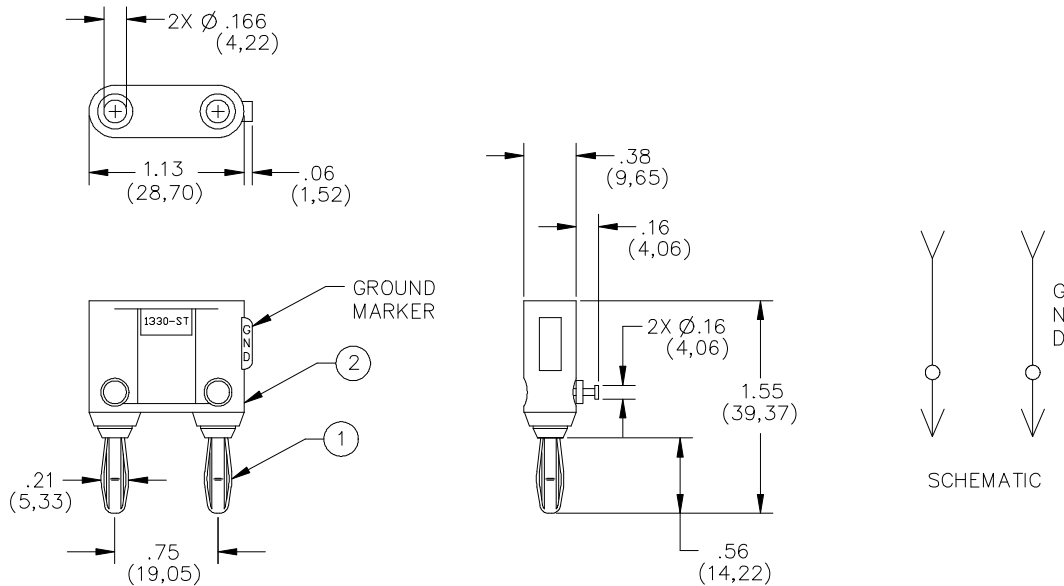
[Pomona Electronics](#)
[1330-ST-0](#)

For any questions, you can email us directly:

sales@integrated-circuit.com

Pomona[®]

Model 1330-ST Stacking Double Banana Plug With Solder Turret Terminals



FEATURES:

- Features a solder turrets for mounting small discrete components with setscrews.
- For test versatility, banana plugs can be vertically and horizontally stacked to the adapter.
- The Banana Plug features Nickel Plated, Beryllium Copper for tarnish resistance & long insertion life.

MATERIALS:

Banana Plug

Body: Brass, Nickel Plated

Spring: Beryllium Copper

Insulation:

ABS Molded Banana Plug Bodies:

Color: Per Part Number

Marking: "1330-ST POMONA ELECTRONICS CO, INC. POMONA CALIFORNIA"

RATINGS:

Operating Voltage: Hand-held Testing: 30VAC/60VDC Max.

Hand Free Testing in controlled Voltage Environment: 5000 WVDC.

Operating Temperature: +50°C (+122°F) Max.

Current: 15 Amperes.

ORDERING INFORMATION: Model 1330-ST-*

* = Color, Standard Colors: -0 Black, -2 Red, -9 White

All dimensions are in inches. Tolerances (except noted): .xx = ±.02" (.51 mm), .xxx = ±.005" (.127 mm).

All specifications are to the latest revisions. Specifications are subject to change without notice.

Registered trademarks are the property of their respective companies. Made in USA