

Excellent Integrated System Limited

Stocking Distributor

Click to view price, real time Inventory, Delivery & Lifecycle Information:

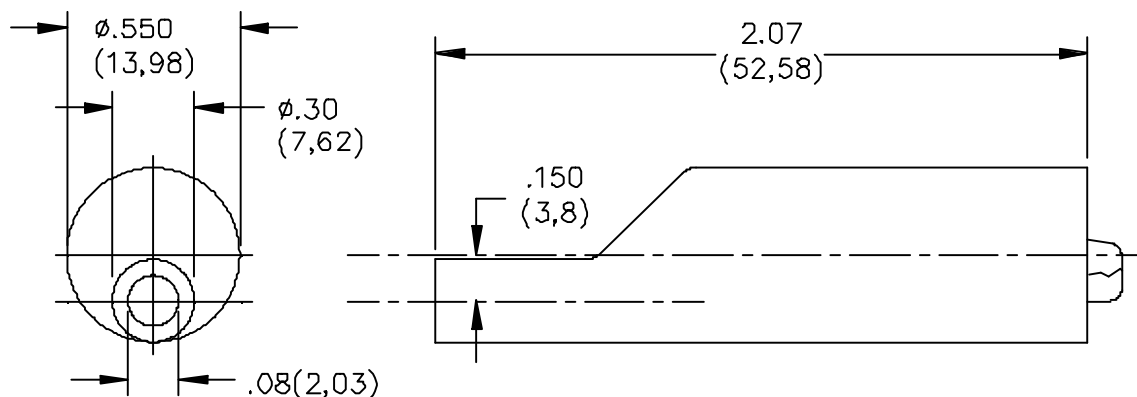
[Pomona Electronics](#)
[1437-0](#)

For any questions, you can email us directly:

sales@integrated-circuit.com

Pomona®

Model 1437 Alligator Clip To Pin Tip Jack With Flex Boot



FEATURES:

- Alligator Clip is ideal for electronic test applications where voltage readings are up to 5,000 voltages.
- Alligator Clip features a gold plated beryllium copper pin tip jack interface for long insertion life.
- Pin jack offers quick and easy attachment to various lengths of pin tip plug patch cords and DMM probes with .080" (2,00 mm) tips.
- Alligator jaw opens up to .300" (7,62mm) for attachment to most test terminals.
- Flexible boot provides insulation protection.

MATERIAL:

Alligator: Steel, Nickel Plated

Pin Jack: Body – Brass, Gold Plated, Spring - Beryllium Copper, Gold Plated

Flexible Boot: PVC

RATINGS:

Operating Temperature: +50° C (+122° F)

Operating Voltage: 150 VRMS

Current: 5 Amperes Max.

ORDERING INFORMATION: Model 1437-*

* = Color Code, -0 Black, -2 Red

Sold in packaging of ten per color.

All dimensions are in inches. Tolerances (except noted): .xx = ±.02" (.51 mm), .xxx = ± .005" (.127 mm).

All specifications are to the latest revisions. Specifications are subject to change without notice.

Registered trademarks are the property of their respective companies. Made in USA