

Excellent Integrated System Limited

Stocking Distributor

Click to view price, real time Inventory, Delivery & Lifecycle Information:

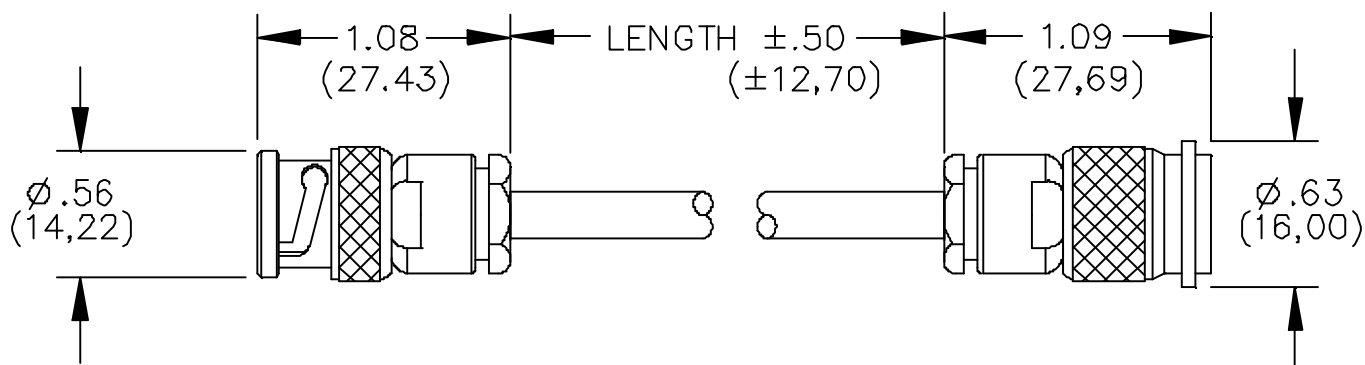
[Pomona Electronics](#)
[1948-C-12](#)

For any questions, you can email us directly:

sales@integrated-circuit.com

Pomona®

**Model 1948-C
 Cable Assembly – BNC Male Connector
 To TNC Male Connector**



MATERIALS:

Connector: 1st End – BNC Male

Body & Fittings: Brass, Tarnish Resisting Plating

Center Contact: Gold Plated Brass per MIL-C-39012

Finish: Tarnish Resistant

Cable: RG58C/U, .195" O.D. Color: Black

Cap. Pf/ft.: 30.8

Connector: 2nd End – TNC Male

Body & Fittings: Brass, Tarnish Resistant Plating

Center Contact: Gold Plated Brass per MIL-C-39012

RATINGS:

Operating Temperature: +80°V. (+176°F.) Max.

Operating Voltage: 500 VRMS Max.

Nominal Impedance: 50 Ohms

ORDERING INFORMATION: Model 1948-C-XX

XX = Length in inches. Std. Lengths: 12", 24", 36", 48", 60"

Additional lengths can be quoted upon request

Ordering Example: 1948-C-36, Cable length will be 36" long

All dimensions are in inches. Tolerances (except noted): .xx = $\pm .02$ " (.51 mm), .xxx = $\pm .005$ " (.127 mm).

All specifications are to the latest revisions. Specifications are subject to change without notice.

Registered trademarks are the property of their respective companies. Made in USA