

Excellent Integrated System Limited

Stocking Distributor

Click to view price, real time Inventory, Delivery & Lifecycle Information:

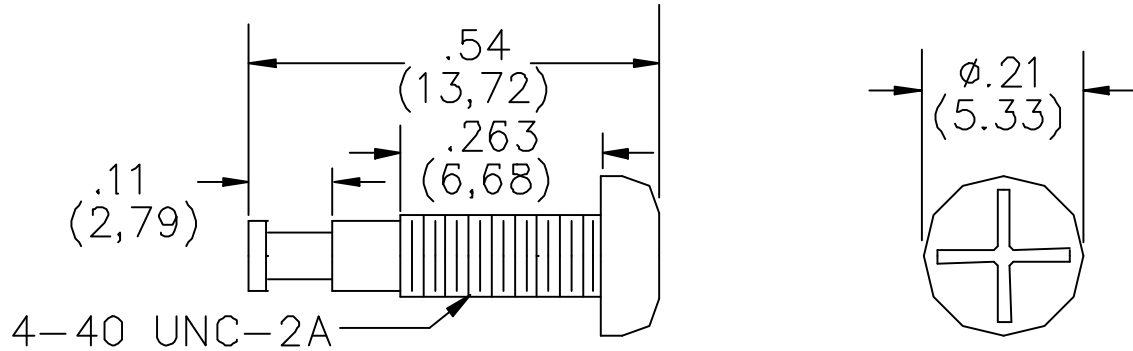
[Pomona Electronics](#)
[2352](#)

For any questions, you can email us directly:

sales@integrated-circuit.com

Pomona®

Model 2352
Solder Turret Terminal Screw



MATERIAL:

Carbon steel 1018

RATINGS:

Operating Voltage: Hand-held testing: 30VAC/60VDC Max.

Hands free testing in controlled voltage environments: 2500 WVDC Max.

Current: 15 Amperes

ORDERING INFORMATION: Model 2352

All dimensions are in inches. Tolerances (except noted): .xx = ±.02" (.51 mm), .xxx = ±.005" (.127 mm).

All specifications are to the latest revisions. Specifications are subject to change without notice.

Registered trademarks are the property of their respective companies. Made in USA