

## Excellent Integrated System Limited

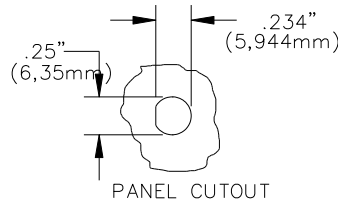
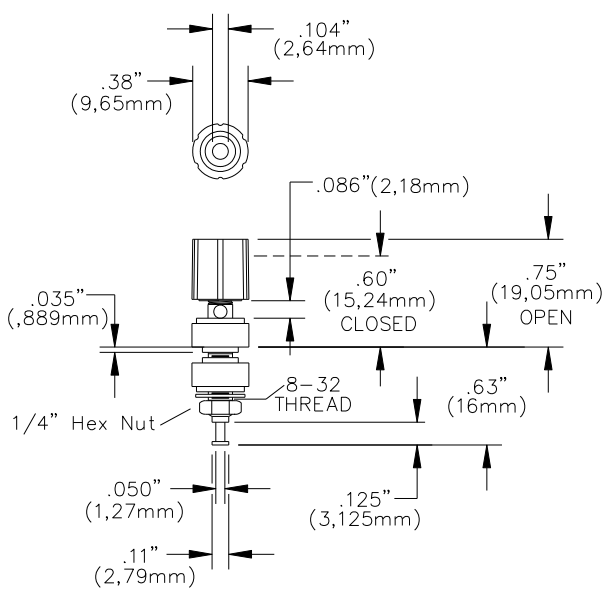
Stocking Distributor

Click to view price, real time Inventory, Delivery & Lifecycle Information:

[Pomona Electronics](#)  
[2382-4](#)

For any questions, you can email us directly:

[sales@integrated-circuit.com](mailto:sales@integrated-circuit.com)



**FEATURES:**

- ✓ Gold or Tin Plated
- ✓ Panel Thickness .07 (1,78mm) to .170" (4,32mm)
- ✓ Accepts miniature banana plug, wire or spade lug..
- ✓ Hardware Included

**MATERIALS:**

*Insulated Captive Thumb Nut;*

- Model: 2382, Gold Flash Brass;
- Model 2439, Tin Plated Brass

*Binding Post Body:*

- Model: 2382, Gold Plated Brass
- Model: 2439, Tin Plated Brass

*Solder Turret Terminal:* – Gold Flash; 2439 - Tin

- Model: 2382, Gold Flash Brass
- Model 2439, Tin Plating Brass

*Thumb Nut, Mounting Base and Insulator:*

Polycarbonate.

*Lock washer:* Nickel Plated Steel

*Hex Nut 1.4" #8-32:* Nickel Plated Brass

**RATINGS:**

Operating Voltage: Hands free usage in controlled voltage environments: 1500 Vrms maximum.  
*For CE compliance:* not intended for hand-held use at voltages above 33 Vrms/70 Vdc.

Current: 5 Amperes

Operating Temperature: +115°C (+239°F) Max.

**ORDERING INFORMATION:**

Model 2382-Color (Gold)

Color = 0 (Black), 2 (Red), 3 (Orange), 5 (Green), 6 (Blue), 9 (White)

Model 2439-Color (Tin)

Color = 0 (Black), 1 (Brown), 2 (Red), 3 (Orange), 5 (Green), 6 (Blue), 9 (White)

All dimensions are in inches. Tolerances (except noted): .xx = ±.02" (.51 mm), .xxx = ±.005" (.127 mm).

All specifications are to the latest revisions. Specifications are subject to change without notice.

Registered trademarks are the property of their respective companies.

Sales: 800-490-2361 Fax: 888-403-3360 Technical Support: 800-241-2060 (technicalsupport@pomonatest.com)  
 For "Where to Buy" information, visit the Pomona web site at www.pomonaelectronics.com