

Excellent Integrated System Limited

Stocking Distributor

Click to view price, real time Inventory, Delivery & Lifecycle Information:

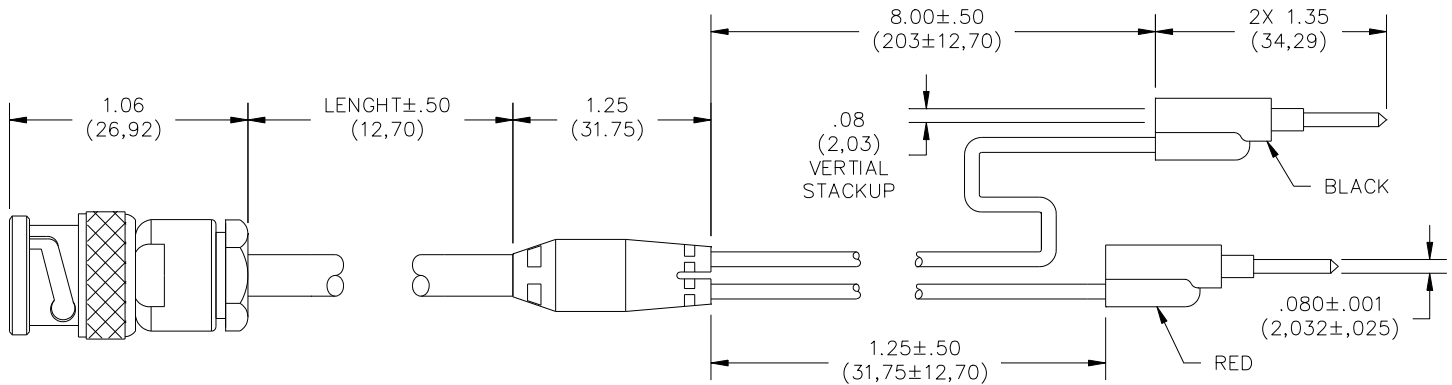
[Pomona Electronics](#)
[2882-C-24](#)

For any questions, you can email us directly:

sales@integrated-circuit.com

Pomona®

Model 2882 BNC (Male) To Stacking Pin Tip Plugs



FEATURES:

- Cable interfaces a BNC based instrument to pin tip jacks.
- Shielding from BNC to the pin tip breakout area reduces the effect of signal leakage or noise interference.
- Pin tip plugs are vertically stackable for added test versatility.
- Pin tip plug and spring are gold plated for low contact resistance to ensure signal integrity.
- BNC connector center contact is gold plated and the dielectric is PTFE for superior performance.
- Schematic: Red pin tip plug to BNC center contact, Black pin tip plug to BNC Shell.

MATERIALS:

BNC: Body – Brass, Tarnish Resistant

Center Contact: Brass, Gold Plated

Dielectric: PTFE

Cable: RG58C/U, 50 Ohm Impedance, Capacitance: 30.8 pF/Ft., .195" (5.0mm) O.D. Nom. Color: Black.

Marking: POMONA 2882-C-xx

Molded Breakout: PVC molded to the coaxial cable and breakout leads. Color: Black

Breakout Leads: 20 AWG, 41 x 36 t.c., .087"

(2,21mm) O.D. Color matches pin tip plug

Pin Tip Plugs: Body – Brass, Gold Plated

Spring: Beryllium Copper, Gold Plated

Insulation: Polypropylene, molded to the pin tip body and wire. Color: one black, one red.

RATING:

Operating Voltage: Hand-held Testing:

30VAC/60VDC Max.

Hands Free Testing in Controlled Voltage Environments: 500 VRMS

Operating Temperature: +50°C (+122°F)

ORDERING INFORMATION: Model 2882-C-XX

XX = Length in inches, Standard Lengths: 60"

(152.40cm)

Ordering Ex: 2882-C-60, Cable length is 60 inches long excluding the BNC connector, molded breakout, and pin tip plugs & leads.

Additional lengths can be quoted upon request.

All dimensions are in inches. Tolerances (except noted): .xx = ±.02" (.51 mm), .xxx = ±.005" (.127 mm).

All specifications are to the latest revisions. Specifications are subject to change without notice.

Registered trademarks are the property of their respective companies. Made in USA

6/9/99

SY/EH/LS

W:\pomona\grponly\Datasheet Updates\Updates 2005\d2882_1_02.doc

More drawings available at www.pomonaelectronics.com

Page 1 of 1