

## Excellent Integrated System Limited

Stocking Distributor

Click to view price, real time Inventory, Delivery & Lifecycle Information:

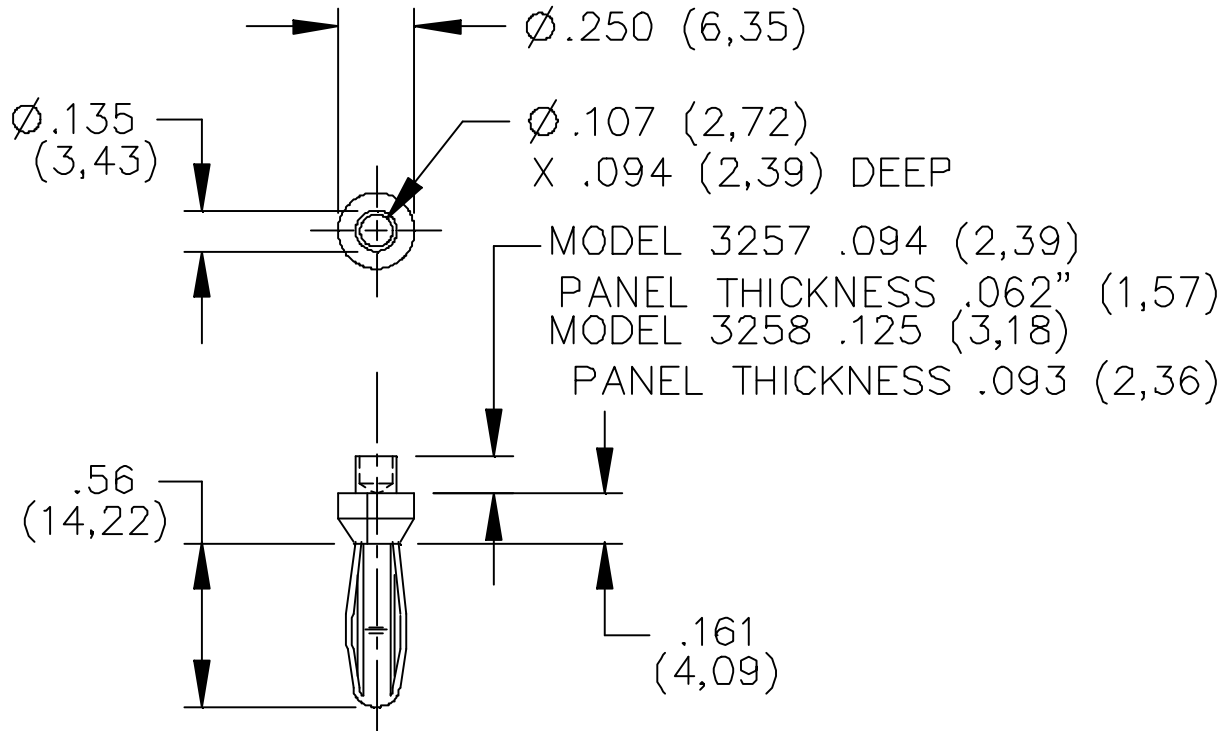
[Pomona Electronics](#)  
[3257](#)

For any questions, you can email us directly:

[sales@integrated-circuit.com](mailto:sales@integrated-circuit.com)

# Pomona®

**Model 3257 & 3258  
 Standard Rivet Type Banana Plug  
 For 1/16" Thick Panel**



**FEATURES:**

- Excellent for riveting to panels or boards.
- Fits standard (.166 dia.) banana jack

**MATERIALS:**

Banana Plug Body: Brass, Alloy 360, Annealed  
 Spring: Beryllium Copper, Berylco 25, Cond. H.T.  
 Finish: Nickel plated per QQ-N-290, Class 2, 200/300 microinches

**RATINGS:**

Operating Voltage: 5000 VDC  
 Current: 15 Amperes

**ORDERING INFORMATION:** Model 3257 & 3258

Sold in packages of 10

All dimensions are in inches. Tolerances (except noted): .xx = ±.02" (.51 mm), .xxx = ±.005" (.127 mm).  
 All specifications are to the latest revisions. Specifications are subject to change without notice.  
 Registered trademarks are the property of their respective companies.

Made in USA