



Distributor of Pomona Electronics: Excellent Integrated System Limited

Datasheet of 3261 - PLG/RIVET .093 PANEL 10/PKG

Contact us: sales@integrated-circuit.com Website: www.integrated-circuit.com

Excellent Integrated System Limited

Stocking Distributor

Click to view price, real time Inventory, Delivery & Lifecycle Information:

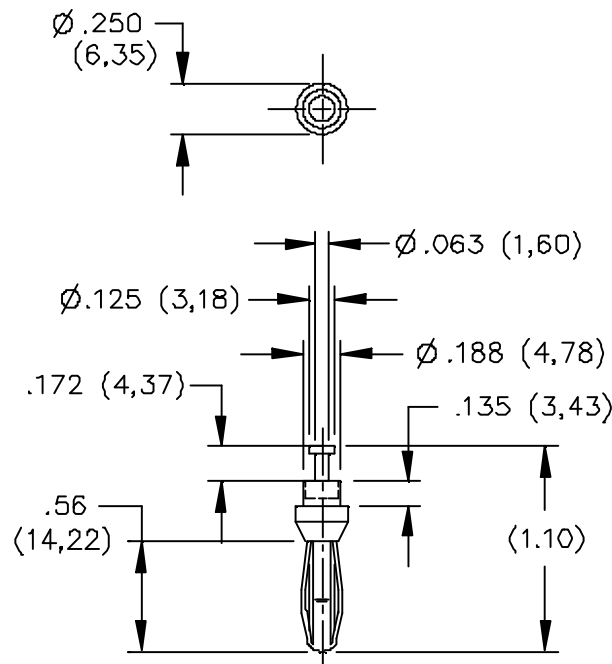
[Pomona Electronics](#)
[3261](#)

For any questions, you can email us directly:

sales@integrated-circuit.com

Pomona®

Model 3261
Standard Rivet Type Banana Plug
With Turret For 3/32" Thick Panel



FEATURES:

- Excellent for riveting to panels or boards.
- Solder turret for rapid attachment of wires.
- Fits standard (.166 dia.) banana jack

MATERIALS:

Banana Plug Body: Brass, Alloy 360, Annealed

Spring: Beryllium Copper, Berylco 25, Cond. H.T.

Finish: Nickel plated per QQ-N-290, Class 2, 200/300 microinches

RATINGS:

Operating Voltage: 5000 VDC

Current: 15 Amperes

ORDERING INFORMATION: Model 3261

Sold in packages of 10

All dimensions are in inches. Tolerances (except noted): .xx = ±.02" (.51 mm), .xxx = ±.005" (.127 mm).

All specifications are to the latest revisions. Specifications are subject to change without notice.

Registered trademarks are the property of their respective companies.

Made in USA