

## **Excellent Integrated System Limited**

Stocking Distributor

Click to view price, real time Inventory, Delivery & Lifecycle Information:

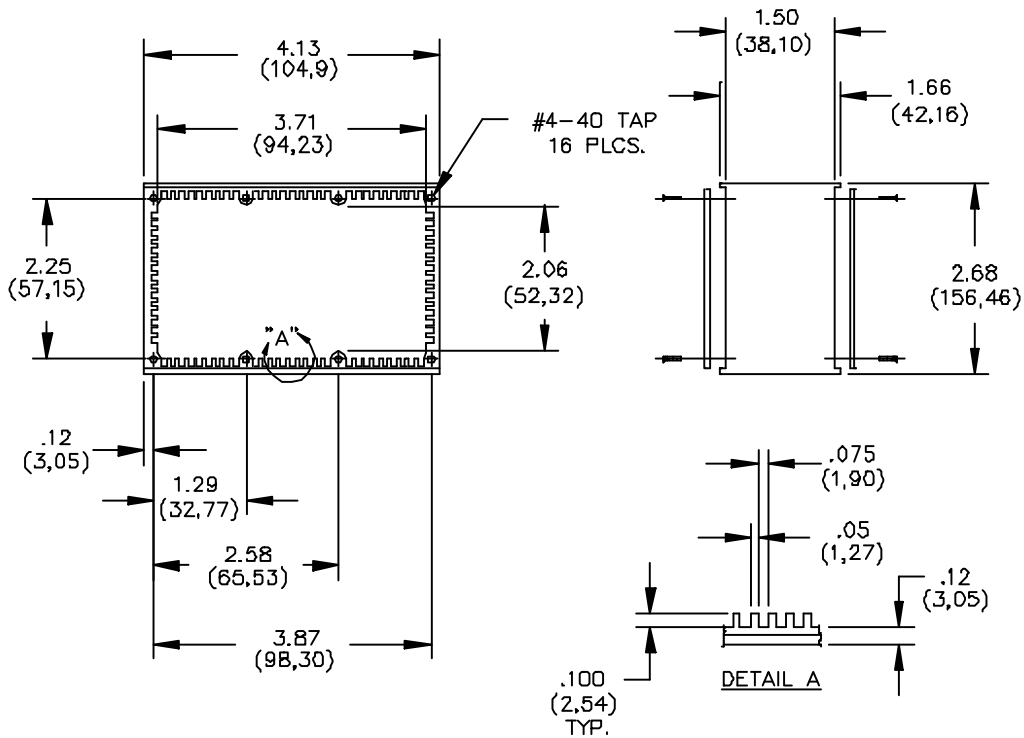
[Pomona Electronics](#)  
[3301](#)

For any questions, you can email us directly:

[sales@integrated-circuit.com](mailto:sales@integrated-circuit.com)

# Pomona®

**Model 3301**  
**Size F Extruded**  
**Aluminum Box With Cover**



## MATERIALS:

Shielded Housing: Extruded Aluminum, Alloy 6063-T5

Finish: Blue paint per Federal Standard 595 #25109

Cover: 2 each, 2.03 (.080) thick Aluminum, Alloy #1100-H14

Finish: Clear anodized per MIL-A-8625

Screws: 16 each #4-40 x 6.35 (1/4") Flat head per MS 35190-221 with clear irridite dip

## RATINGS:

Operating Temperature: -55°C to +150°C (-67°F to +302°F)

Noise Rejection: Greater than 70 dB.

## ORDERING INFORMATION: Model 3301

All dimensions are in inches. Tolerances (except noted): .xx = ±.02" (.51 mm), .xxx = ±.005" (.127 mm).

All specifications are to the latest revisions. Specifications are subject to change without notice.

Registered trademarks are the property of their respective companies.

Made in USA