



Distributor of Pomona Electronics: Excellent Integrated System Limited

Datasheet of 3306 - BOX ALUM UNPAINTED 4.13"LX2.68"W

Contact us: sales@integrated-circuit.com Website: www.integrated-circuit.com

Excellent Integrated System Limited

Stocking Distributor

Click to view price, real time Inventory, Delivery & Lifecycle Information:

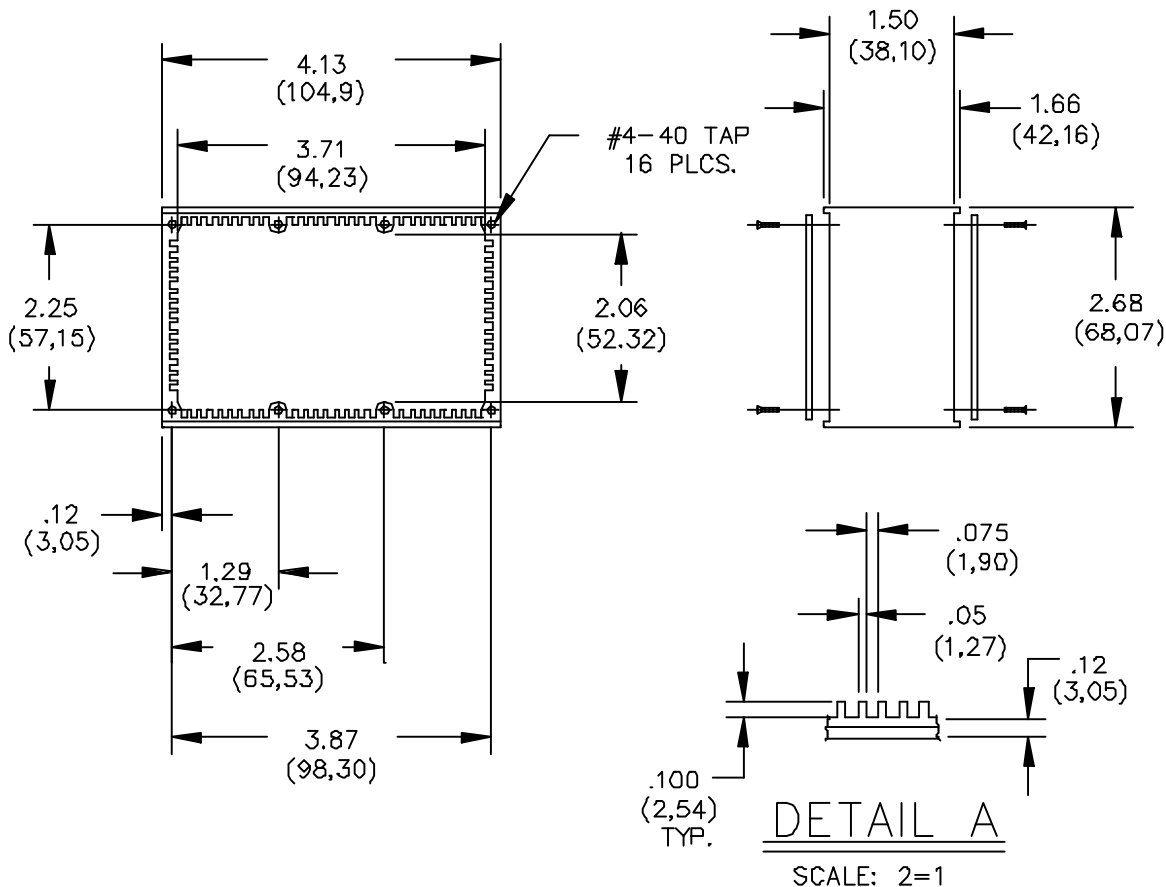
[Pomona Electronics](#)
[3306](#)

For any questions, you can email us directly:

sales@integrated-circuit.com

Pomona®

Model 3306
Shielded Aluminum Box Size F
Unfinished



MATERIALS:

Shielded Housing: Extruded Aluminum, Alloy 6063-T5

Finish: None

Cover: 2 each, 2.03 (.080) thick Aluminum, Alloy #1100-H14

Finish: Clear anodized per MIL-A-8625

Cover Screws: 16 each #4-40 x 6.35 (1/4") Flat head, carbon steel with blue zinc plating.

RATINGS:

Operating Temperature: -55°C to +150°C (-67°F to +302°F)

Noise Rejection: Greater than 70 dB.

ORDERING INFORMATION: Model 3306

All dimensions are in inches. Tolerances (except noted): .xx = ±.02" (.51 mm), .xxx = ±.005" (.127 mm).

All specifications are to the latest revisions. Specifications are subject to change without notice.

Registered trademarks are the property of their respective companies.

Made in USA