

## Excellent Integrated System Limited

Stocking Distributor

Click to view price, real time Inventory, Delivery & Lifecycle Information:

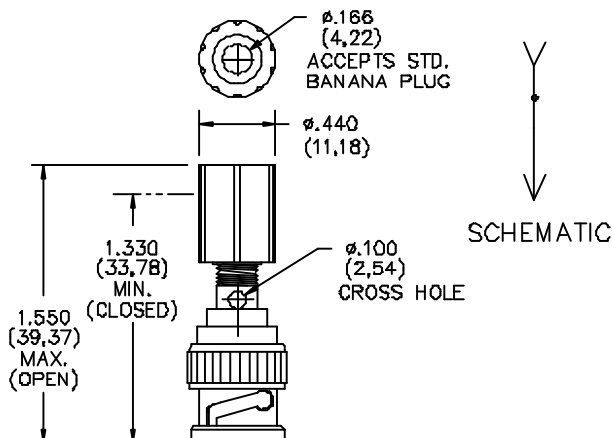
[Pomona Electronics](#)  
[3430-0](#)

For any questions, you can email us directly:

[sales@integrated-circuit.com](mailto:sales@integrated-circuit.com)

# Pomona®

**Model 3430**  
**Adapter – Binding Post To**  
**BNC Male**



**FEATURES:**

- Permits single banana plug to be used with equipment having a BNC female.

**MATERIALS:**

Upper Conn: Insulated Binding Post

Material: Binding Post Body – Brass per QQ-B-626, Allow 360, 1/2 Hard.

Finish: Nickel plated per QQ-N-290, Class 2, 200/300 microinches.

Insulation: Polycarbonate.

Color: See Ordering Information.

Lower Conn.: BNC Male

Finish: Body and fittings – Tarnish Resistant.

Nominal Impedance: 50 Ohms.

**RATINGS:**

Operating Temp.: +115° C. (+239° F.) Max.

Operating Voltage: Hand-held Testing: 30VAC/60VDC Max.

Hands free Testing in Controlled Voltage Environments: 500 VRMS Max.

**ORDERING INFORMATION:** Model 3430-\*

\* = Color, -0 Black, -2 Red

Ordering Example: 3430-2 Color is Red

All dimensions are in inches. Tolerances (except noted): .xx = ±.02" (.51 mm), .xxx = ± .005" (.127 mm).

All specifications are to the latest revisions. Specifications are subject to change without notice.

Registered trademarks are the property of their respective companies. Made in USA