

Excellent Integrated System Limited

Stocking Distributor

Click to view price, real time Inventory, Delivery & Lifecycle Information:

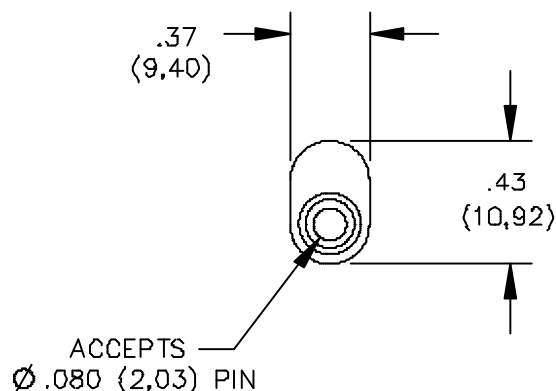
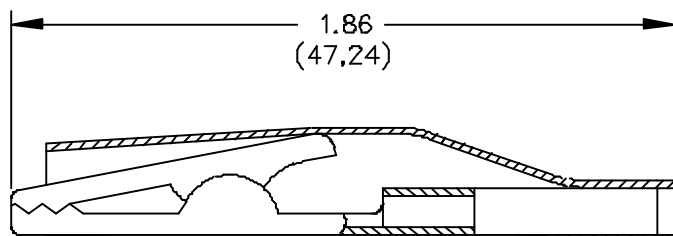
[Pomona Electronics](#)
[3491-0](#)

For any questions, you can email us directly:

sales@integrated-circuit.com

Pomona®

Model 3491 Insulated Minigator Clip To Pin Tip Jack



FEATURES:

- Mates to Model #PT080 or any standard 0.080" pin tip plug.
- Alligator clip has 4.7 (.187) Max. jaw opening.

MATERIALS:

Minigator Clip:

Material: Steel

Finish: Nickel plated

Insulator:

Material: Vinyl

2.03 (.080) Dia. – Pin Tip Jack

Material: Jack Body – Brass per QQ-B-626, Alloy 360, ½ Hard.

Spring – Beryllium Copper per QQ-C-533, Alloy 172, Cond. HT

Finish: Gold plated per MIL-G-45204, Type II, Class 00 over electroless nickel.

RATINGS:

Operating Temperature: +50°C. (+122°F.) Max.

Operating Voltage: 45 VRMS/DC

Current: 5 Amperes

ORDERING INFORMATION: Model 3491-*

*=Color, -0 Black, -2 Red

Ordering Example: 3491-2 Color is Red

All dimensions are in inches. Tolerances (except noted): .xx = ±.02" (.51 mm), .xxx = ±.005" (.127 mm).

All specifications are to the latest revisions. Specifications are subject to change without notice.

Registered trademarks are the property of their respective companies. Made in USA