

## Excellent Integrated System Limited

Stocking Distributor

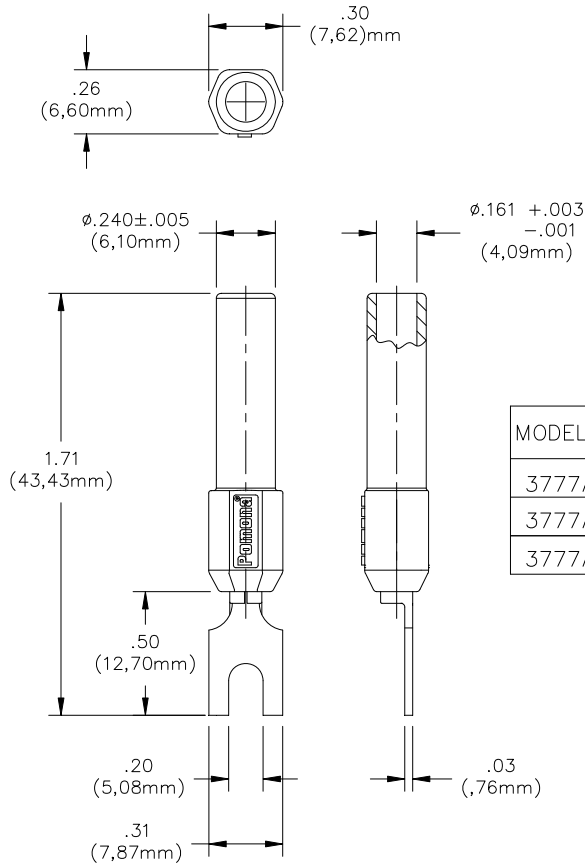
Click to view price, real time Inventory, Delivery & Lifecycle Information:

[Pomona Electronics](#)  
[3777A-0](#)

For any questions, you can email us directly:

[sales@integrated-circuit.com](mailto:sales@integrated-circuit.com)

**Model 3777A**  
**Spade Lug to Banana Jack**



MODEL NO.	SPECIFY COLOR	LUG SIZE
3777A-0	BLACK	#8, #10
3777A-2	RED	#8, #10
3777A-02	SET 1 RED 1 BLACK	

**MATERIALS:**

1<sup>st</sup> End: Banana Jack

Material: Brass per QQ-B-626, Alloy 360, ½ Hard.

Finish: Nickel plated per Q-N-290, Class 2, 200/300 microinches.

Insulation: Polypropylene (Fire Retardant) molded to Banana Jack Body. Color: See Tab Block.

Marking: "POMONA"

2<sup>nd</sup> End: Spade Lug

Material: Copper.

Finish: Electro-tin plated.

**RATINGS:**

Operating Temperature: +50° C (+122° F) Max.

Operating Voltage: 5000 VDC

Current: 15 Amperes

**ORDERING INFORMATION:**

See table above

USA: Sales: 800-490-2361  
 Technical Support: [technicalsupport@pomonatest.com](mailto:technicalsupport@pomonatest.com)  
 Fax: 425-446-5844

Europe: 31-(0) 40 2675 150 International: 425-446-5500

Where to Buy: [www.pomonaelectronics.com](http://www.pomonaelectronics.com)

All dimensions are in inches. Tolerances (except noted): .xx = ±.02" (.51 mm), .xxx = ± .005" (.127 mm). All specifications are to the latest revisions. Specifications are subject to change without notice. Registered trademarks are the property of their respective companies.