



Distributor of Pomona Electronics: Excellent Integrated System Limited

Datasheet of 3780-60-0 - CORD MINIGRABER SNGL END 60" BLK

Contact us: sales@integrated-circuit.com Website: www.integrated-circuit.com

Excellent Integrated System Limited

Stocking Distributor

Click to view price, real time Inventory, Delivery & Lifecycle Information:

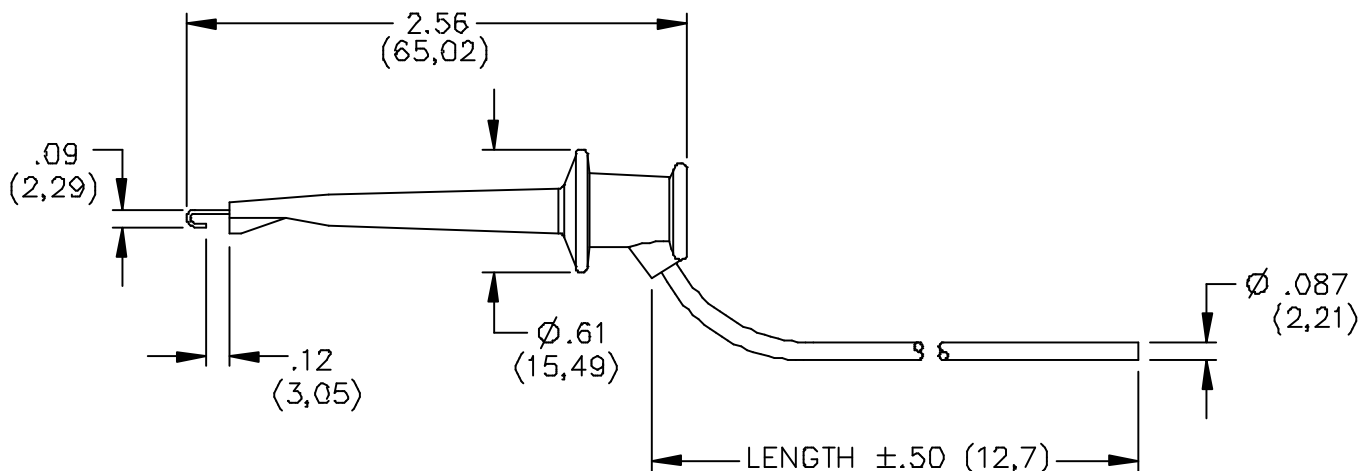
[Pomona Electronics](#)
[3780-60-0](#)

For any questions, you can email us directly:

sales@integrated-circuit.com

Pomona®

**Model 3780
 Minigrabber® Test Clip,
 One End Only**



FEATURES:

- Minigrabber® Test Clip (one end only) allows customization of the open end.
- Grabber attaches to terminals sizes up to .060" (1,5mm).
- Hook material is gold plated Beryllium Copper for superb strength and low contact resistance to ensure signal integrity.
- For added safety, the grabber body material is fire retardant Nylon 6.
- Stainless steel grabber compression spring resists corrosion and retains a firm feel throughout the life of the grabber.
- Flexible 20 gauge multi-stranded wire is molded directly to the grabber actuator cap and pin tip plug for durability.

MATERIALS:

Grabber: Contact, Beryllium Copper, Gold Plated
 Spring, Stainless Steel
 Insulation: Nylon 6 (Fire Retardant UL94V-0), Matches Wire Color
 Wire: 20 AWG, Stranding 41 x 36 copper, PVC Insulated, 0.087" (2,21 mm) O.D.
 Color per part number
 Marking: Pomona 3780-XX-*

RATINGS:

Operating Voltage: Hand-held Testing: 30VAC/60VDC Max.
 Hand Free Testing in controlled Voltage Environment: 300
 Operating Temperature: +102°C (+216°F) Max.
 Current: 5 Amperes Max.

ORDERING INFORMATION: Model 3780-XX-*

XX = Length in inches, Standard Length: 60" (152,40 cm). Additional lengths can be quoted upon request.
 * = Color, Std. Colors: -0 Black, -2 Red
 Ordering Example: 3780-60-2, Minigrabber® Test Clip (One End Only), Wire Length 60", Color: Red

All dimensions are in inches. Tolerances (except noted): .xx = ±.02" (.51 mm), .xxx = ± .005" (.127 mm).
 All specifications are to the latest revisions. Specifications are subject to change without notice.
 Registered trademarks are the property of their respective companies. Made in USA