

## **Excellent Integrated System Limited**

Stocking Distributor

Click to view price, real time Inventory, Delivery & Lifecycle Information:

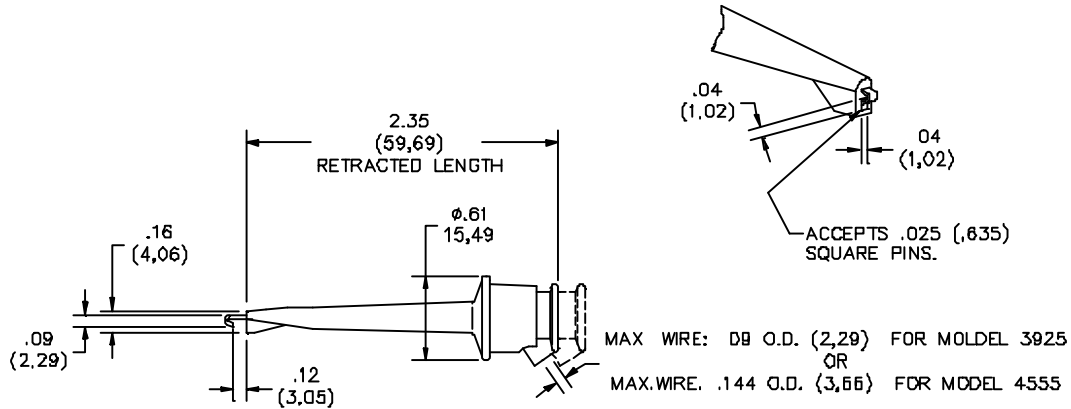
[Pomona Electronics](#)  
[3925-0](#)

For any questions, you can email us directly:

[sales@integrated-circuit.com](mailto:sales@integrated-circuit.com)

# Pomona®

## Model 3925 & Kits 4176-02 & 5522 Do-It-Yourself Minigrabber® Test Clip



### MATERIALS:

Body: Contact – Gold Plated Beryllium Copper, Spring – Stainless Steel

Insulation: Glass filled nylon.

Marking: “Pomona 3925”

### RATINGS:

Operating Voltage: Hand-held testing: 30VAC/60VDC Max.

Hands free testing in controlled voltage environments: 300 WVDC Max.

Operating Temperature: +102°(+216°F.) Max.

Current: 5 Amperes

### ORDERING INFORMATION: Model 3925, 4176-02 & 5522

Standard Colors: Available in 10 colors: -0 Black, -2 Red, -3 Orange, -4 Yellow, -5 Green, -6 Blue, -7 Violet, -8 Gray, -9 White

Kit 5522 contains 10 pieces of 3925, one of each color.

Kit 4176-02 contains 2 pieces of 3925, one Black / one Red

All dimensions are in inches. Tolerances (except noted): .xx = ±.02” (.51 mm), .xxx = ± .005” (.127 mm).

All specifications are to the latest revisions. Specifications are subject to change without notice.

Registered trademarks are the property of their respective companies. Made in USA