

## Excellent Integrated System Limited

Stocking Distributor

Click to view price, real time Inventory, Delivery & Lifecycle Information:

[Pomona Electronics](#)  
[4124A](#)

For any questions, you can email us directly:

[sales@integrated-circuit.com](mailto:sales@integrated-circuit.com)

# Pomona®

## DIP CLIPS 8 through 40 pins and 8 through 40 pin DIP Removers

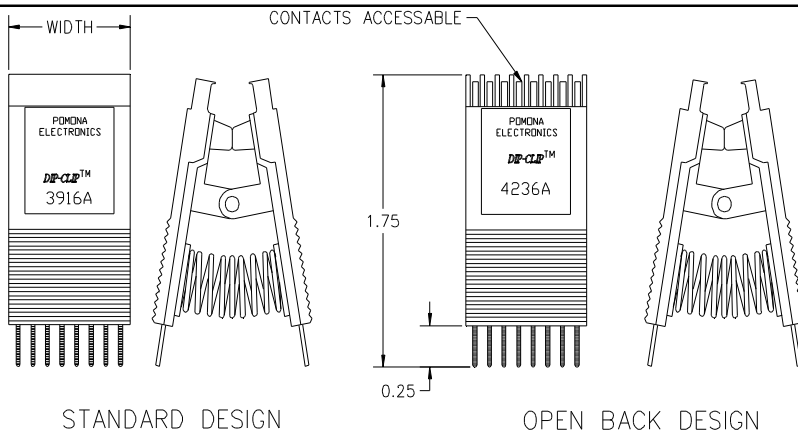
ITT Pomona DIP Clip® test clips are designed for testing dual-in-line IC packages on PC boards. These devices incorporate many built-in features that assure a positive electrical connection as well as hands free testing.

- Contacts (.040" wide on lower end) are serrated for the best electrical contact.
- .025" X .028" serrated test points on upper end will accept wire wraps or mini test clips.
- Molded barriers between contacts allows live board connections without accidental shorting of contacts.
- Can also be used as an insertion tool for DIPs.

□ Contacts are spring tempered Nickel Silver or Gold Plated Beryllium Copper alloy. Oxide penetrating clips have a roughened stainless steel surface treatment.

□ Open back option allows probing on the chip leads while clip is attached.

Pomona's DIP Clip® test clips are perfect for emulation, field service, failure analysis, and for use with logic analyzers.



Size Pins	Clip Width	Standard DIP Clip®	Open Back DIP Clip®	Contact Material and Plating	Oxide Penetrating DIP Clip®	Static Control DIP Remover
8	.43	<b>5108</b>	<b>5208</b>	Be-Cu, Gold Plate	<b>5649</b>	<b>5016</b>
14	.72	<b>5014</b>	<b>5114</b>	Nickel Silver	<b>5650</b>	<b>5016</b>
		<b>5214</b>	<b>5314</b>	Be-Cu, Gold Plate	<b>5650</b>	<b>5016</b>
16	.83	<b>3916A</b>	<b>4236A</b>	Nickel Silver	<b>5692</b>	<b>5016</b>
		<b>5116</b>	<b>5216</b>	Be-Cu, Gold Plate	<b>5692</b>	<b>5016</b>
20	1.03	<b>5120</b>	<b>5220</b>	Be-Cu, Gold Plate	<b>5693</b>	<b>5016</b>
24	1.22	<b>4124A</b>	<b>4324A</b>	Nickel Silver	<b>5694</b>	<b>5024</b>
		<b>5124</b>	<b>5224</b>	Be-Cu, Gold Plate	<b>5694</b>	<b>5024</b>
40	2.02	<b>4140A</b>	<b>4340A</b>	Nickel Silver	<b>5695</b>	<b>5040</b>
		<b>5140</b>	<b>5240</b>	Be-Cu, Gold Plate	<b>5695</b>	<b>5040</b>

Made in USA