

Excellent Integrated System Limited

Stocking Distributor

Click to view price, real time Inventory, Delivery & Lifecycle Information:

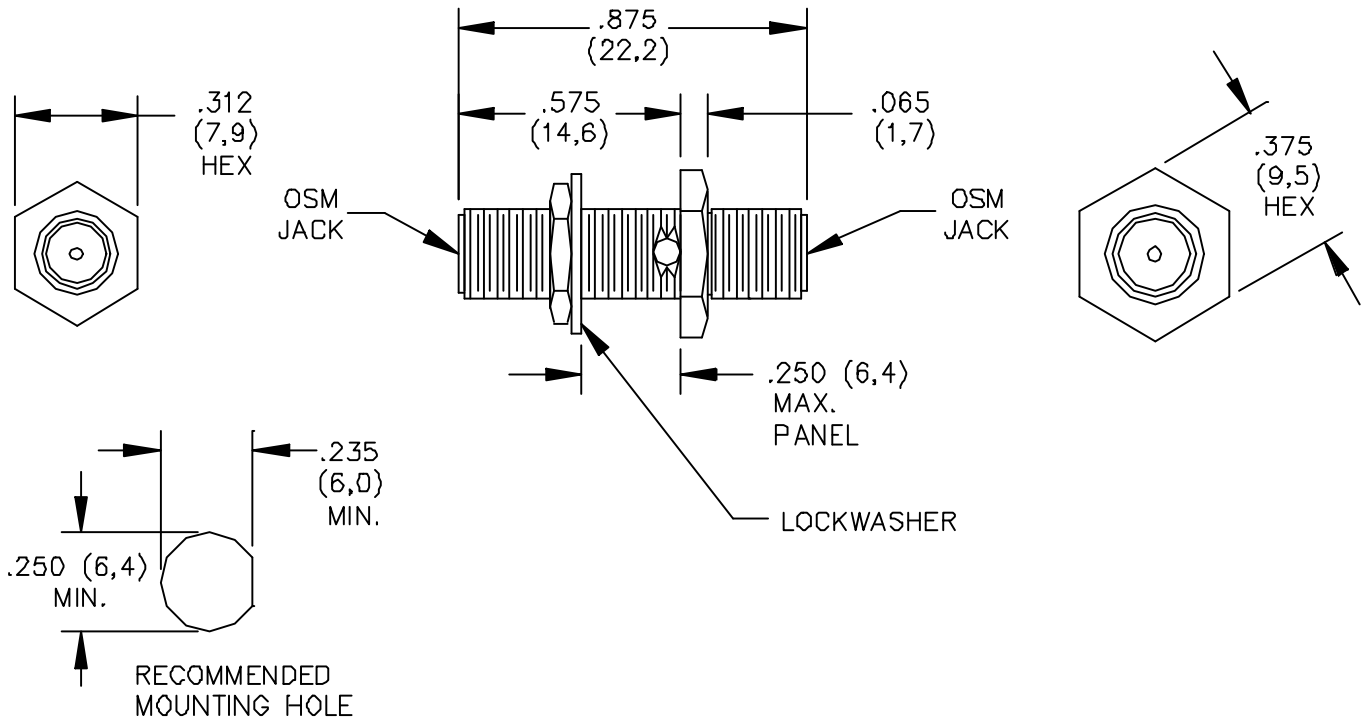
[Pomona Electronics](#)
[4285](#)

For any questions, you can email us directly:

sales@integrated-circuit.com

Pomona[®]

Model 4285 Adapter, SMA, Female To Female



MATERIALS:

Body: Gold Plated Beryllium Copper per QQ-C-530, Cond. HT.

Contact: Gold Plated Beryllium Copper per QQ-C-530, Cond. HT.

Insulation: PTFE

Finish:

Body, Fittings and Contact: Gold plate per MIL-G-45204, Type II, Class 2

RATINGS:

Operating Temperature: -65°C. (-85°F.) to +165°C. (+329°F.)

Operating Voltage: 1000 VRMS, 60 Hz at sea level

Insulation Resistance: 5000 Megohms Min.

Frequency Range: 0-12.4 GHz

ORDERING INFORMATION: Model 4285

All dimensions are in inches. Tolerances (except noted): .xx = ±.02" (.51 mm), .xxx = ±.005" (.127 mm).

All specifications are to the latest revisions. Specifications are subject to change without notice.

Registered trademarks are the property of their respective companies.

Made in USA