

Excellent Integrated System Limited

Stocking Distributor

Click to view price, real time Inventory, Delivery & Lifecycle Information:

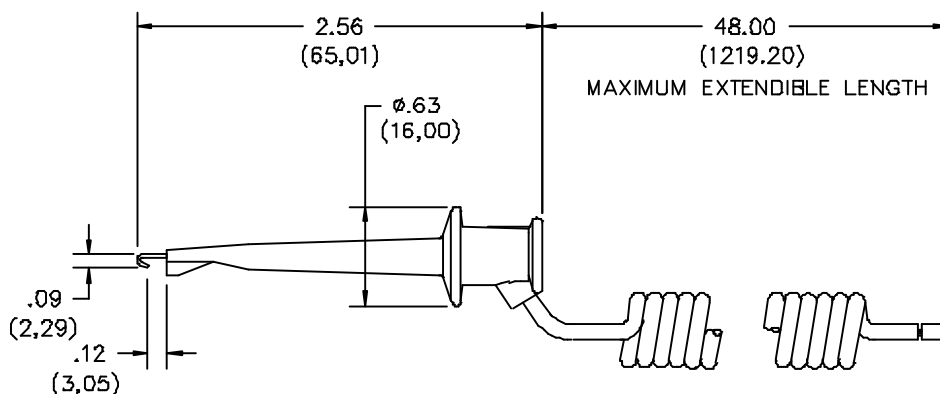
[Pomona Electronics](#)
[4536-0](#)

For any questions, you can email us directly:

sales@integrated-circuit.com

Pomona®

Model 4536
Minigrabber® Test Clip, One End
With Retractable (Coiled) Cord



FEATURES:

- Retractable cord to allow connections at various lengths.
- One end open to allow a technician to build a custom load.
- The open end may be used with Model #5169, 5167, 3650, 5173 and various other “Do IT Yourself” Pomona products.

MATERIALS:

Conn: 1st End - Minigrabber® Test Clip

Material: Contact – Beryllium Copper per QQ-C-533, Alloy 165.

Spring – Stainless steel, Alloy 302.

Finish: Contact – Gold plated per MIL-G-45204, Type I, Class 00.

Insulation: Glass filled nylon. Color matches color of wire.

Retractable Cord: 20 AWG, stranding 42 x 36 t.c., PVC insulated, 3.71 (.146) O.D.

Color: See Ordering Information

Marking: “POMONA 4536.”

Conn: 2nd End – None

RATINGS:

Operating Temperature: +60°C. (+140°F.) Max.

Operating Voltage: Hand-Held Testing: 30VAC/60VDC Max.

Current: 5 Amperes

ORDERING INFORMATION: Model 4536-*

*= Color, -0 Black, -2 Red

Ordering Example: 4536-2 Adapter Color is Red

All dimensions are in inches. Tolerances (except noted): .xx = ±.02” (.51 mm), .xxx = ± .005” (.127 mm).

All specifications are to the latest revisions. Specifications are subject to change without notice.

Registered trademarks are the property of their respective companies. Made in USA