



Distributor of Pomona Electronics: Excellent Integrated System Limited

Datasheet of 4652-12-0 - MINIGRABBER/MINIGATOR 12" BLACK

Contact us: sales@integrated-circuit.com Website: www.integrated-circuit.com

Excellent Integrated System Limited

Stocking Distributor

Click to view price, real time Inventory, Delivery & Lifecycle Information:

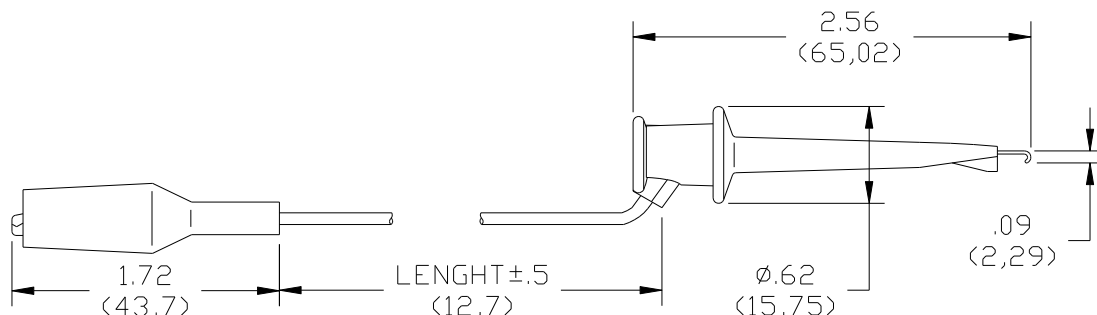
[Pomona Electronics](#)
[4652-12-0](#)

For any questions, you can email us directly:

sales@integrated-circuit.com

Pomona®

**Model 4652
 Minigator To Minigrabber®
 Test Clip Patch Cord**



FEATURES:

- Grabber hook attaches to terminals sizes up to .060" (1,5 mm) O.D.
- Hook material is gold plated beryllium copper for superb strength and low contact resistance.
- For added safety, the grabber body material is fire retardant Nylon 6.
- Stainless steel grabber compression spring resists corrosion and retains a firm feel throughout the life of the grabber.
- Flexible 20 gauge multi-stranded wire is molded directly to the grabber actuator cap and pin tip plug for durability.
- Minigator features a maximum jaw opening of 0.187" (4,75 mm) and includes a flexible vinyl boot for insulation protection.

MATERIALS:

Minigrabber® Test Clip: Contact, Beryllium Copper, Gold Plated

Spring, Stainless Steel

Insulation: Nylon 6 (Fire Retardant UL94V-0), Matches Wire Color

Wire: 20 AWG, Stranding 41 x 36 copper, PVC Insulated, 0.087" (2,21 mm) O.D.

Color per part number

Marking: Pomona 4652-XX-*

Insulated Minigator® Test Clip: Body - Steel, Nickel Plated

Flex Boot - Vinyl, Color Matches Wire Color

RATING:

Operation Temperature: 55°C (+176°F) Max.

Operating Voltage: 30VAC/60VDC Max.

Current: 5 Amperes Max.

ORDERING INFORMATION: Model 4652-XX-*

XX = Length in inches, Standard Lengths: 12" (30,48 cm), 24" (60,96 cm)

* = Color, Std. Colors: -0 Black & -2 Red

All dimensions are in inches. Tolerances (except noted): .xx = ±.02" (.51 mm), .xxx = ±.005" (.127 mm).

All specifications are to the latest revisions. Specifications are subject to change without notice.

Registered trademarks are the property of their respective companies. Made in USA

6/9/99

SY/EH/LS

W:\pomona\grponly\Datasheet Updates\Updates 2005\d4652_1_02.doc

More drawings available at www.pomonaelectronics.com

Page 1 of 1