

Excellent Integrated System Limited

Stocking Distributor

Click to view price, real time Inventory, Delivery & Lifecycle Information:

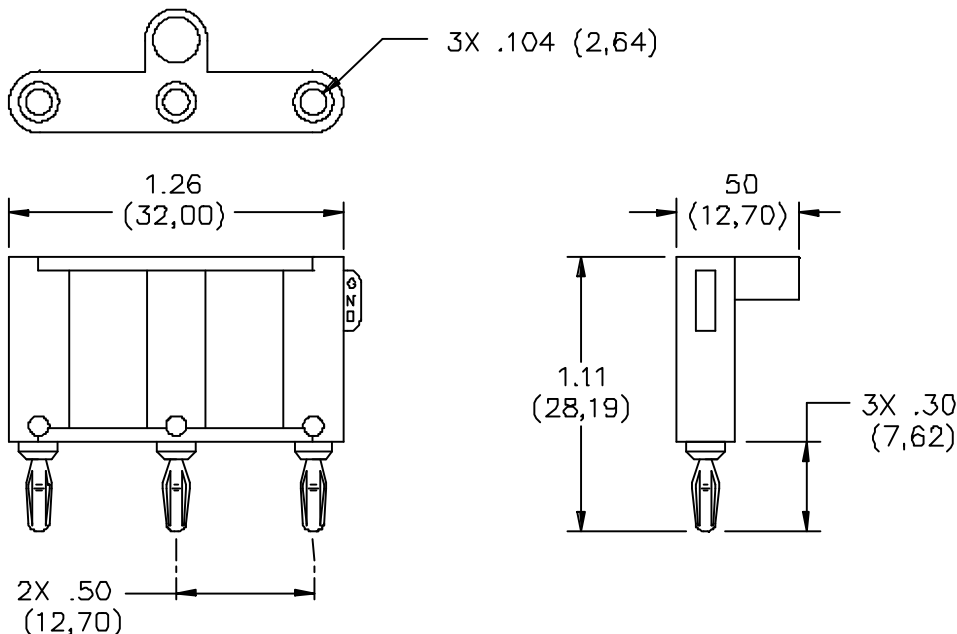
[Pomona Electronics](#)
[4653-0](#)

For any questions, you can email us directly:

sales@integrated-circuit.com

Pomona®

Model 4653
Miniature Triple Banana Plug



FEATURES:

- Use for balanced line 2 conductor shielded cable assemblies

MATERIALS:

Upper Connector: Miniature Triple Banana Jack – Brass, H.H. per QQ-B-626, Alloy 360

Finish: Gold plated per MIL-G-45204, Type II (.00001 min.)

Insulation: ABS per L-P-1183, Type II, molded to banana plug bodies

Color: Black and Red

Marking: POMONA ELECTRONICS, CALIF. 4653

Lower Connector: Miniature Triple Banana Plug

Spring: Beryllium Copper, Berylco 25 per QQ-C-533

Plug Body: Brass, H.H., per QQ-B-626, Alloy 360

Finish: Gold Plated per MIL-G-45204, Type II, (.00001 min.)

RATINGS:

Operating Temperature: +50°C (+122°F) Max.

Operating Voltage: 2500 VDC

Current: 5 Amperes

ORDERING INFORMATION: Model 4653-*

+ = Color, Standard Colors: -0 Black, -2 Red

All dimensions are in inches. Tolerances (except noted): .xx = ±.02" (.51 mm), .xxx = ±.005" (.127 mm).

All specifications are to the latest revisions. Specifications are subject to change without notice.

Registered trademarks are the property of their respective companies. Made in USA