



Distributor of Pomona Electronics: Excellent Integrated System Limited

Datasheet of 4702-24-0 - BANANA PLUG/BANANA JACK 24" BLK

Contact us: sales@integrated-circuit.com Website: www.integrated-circuit.com

Excellent Integrated System Limited

Stocking Distributor

Click to view price, real time Inventory, Delivery & Lifecycle Information:

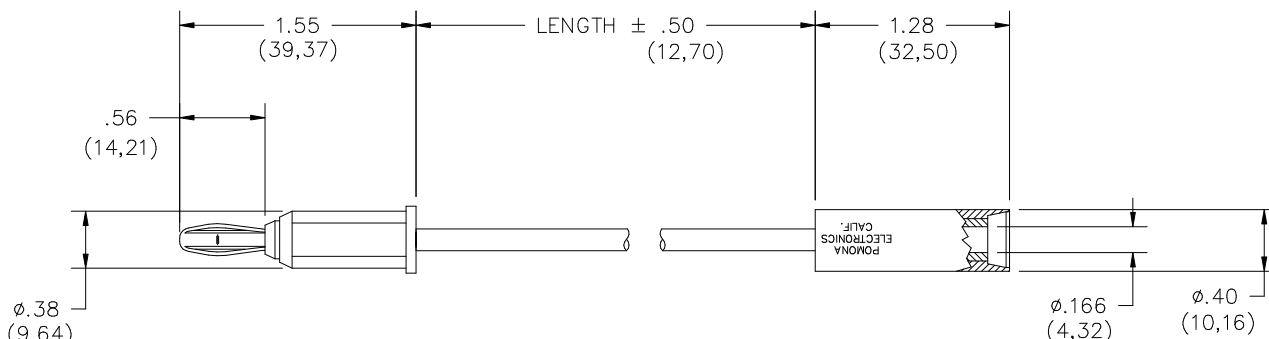
[Pomona Electronics](#)
[4702-24-0](#)

For any questions, you can email us directly:

sales@integrated-circuit.com

Pomona®

Model 4702
Banana Plug To In-Line Banana Jack



FEATURES:

- Dual Purpose
- Insulates all hot leads when used as an extension cord.
- Endless extension couplings possible with any banana plug patch cord.

MATERIALS:

Conn: Banana Plug

Material: Spring, One piece heat treated Beryllium Copper, Beryllium Copper 25 per QQ-C-533.

Finish: Nickel plate per QQ-N-290 class 2 (.0002 min.).

Insulation: Polypropylene, molded to plug body and wire. Color matches color of wire.

Operating Temperature: +55° C (+131° F) Max.

Marking: "POMONA ELECTRONICS CALIF."

Wire: 18 AWG; stranding 65 x 36 tinned copper, polyvinyl chloride insulated (.050 wall thickness).

Marking: POMONA 4702-"XX".

Conn: In-Line Banana Jack

Material: Brass, H.H. per QQ-B-626, Alloy 360.

Finish: Nickel plate per QQ-N-290. Class 2 (.0002 min.).

Insulation: Polypropylene, molded to jack body and wire. Color matches color of wire.

Operating Temperature: +55° C (+131° F) Max.

Marking: "POMONA ELECTRONICS CALIF."

RATINGS: Entire Assembly

Operating Temperature: +55° C (+131° F) Max.

Operating Voltage: 5000 W VDC

Current: 15 Amperes Cont.

ORDERING INFORMATION: Model 4702-XX-*

XX = Cable Lengths, Standard Lengths: 24" (610mm), 36" (914mm), & 48" (1219mm).

Additional lengths can be quoted upon request.

*=Color, -0 black, -2 red.

Ordering Example: 4702-48-2 Indicates 48" in length, color is Red.

All dimensions are in inches. Tolerances (except noted): .xx = ±.02" (.51 mm), .xxx = ±.005" (.127 mm).

All specifications are to the latest revisions. Specifications are subject to change without notice.

Registered trademarks are the property of their respective companies. Made in USA